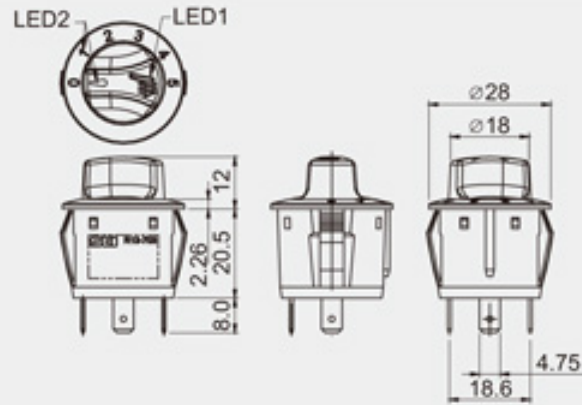


R13-703

NEW

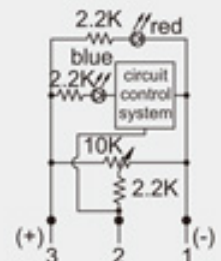


Rating	10K ohms, 12V/24V DC
Insulation resistance	DC 500V 100MΩ Min
Dielectric strength	AC 1000V 1 minute
Cut out	

FEATURES

- * **MATERIAL:** Frame is nylon. Cap and rotator are PC. Terminals are nickel plated brass.
- * For adjusting the variable resistor on the application of heater, brightness, speeder..etc.
- * **LED1** (warm white seat symbol): always lighted for location direction.
- * **LED2** (with arrow symbol): This indicator will be lighted up when rotate to lever 1,2 ...
- * The digits on the round frame can be chosen between illuminated laser marking or hot stamp print marking, and the digits can be changed to any other custom legend.

CIRCUIT DIAGRAM



R13-703 - - - - -

KNOB POSITIONS	TERMINAL	LEGEND	VOLTAGE
A 6P POSITIONS(0-5)	0 1 .250" SQ	N NONE	1 12V DC
KNOB	0 2 .187" SQ	1	2 24V DC
1	COVER PAINT COLOR	LIGHT CIRCUIT	
	N Without LED	1 1 LED for LED1	
	KNOB PAINT COLOR	2 2 LED for LED1 and LED2	
	COVER ORIGINAL COLOR	LED1 COLOR	
	KNOB ORIGINAL COLOR	LED2 COLOR	
		KNOB MARKING	
		A NUMBER 0-5	
		COVER MARKING	
		Optional legend on actuator, see page A1.	