

## Miniature Rocker Switch

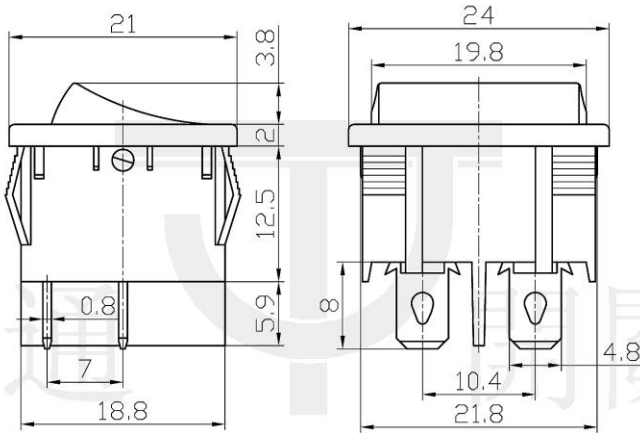
**Q-1013**

TYPE: **MRS-201-3B**

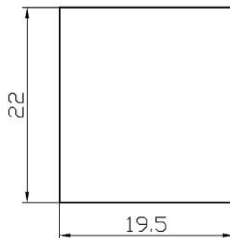
### SPECIFICATIONS

Contact Type: DPST  
 Rating: 3A 250V AC  
 Contact R: 35mΩ max  
 Insulation R: 500V DC 100MΩ min  
 Dielectric Strength: 1 Minute 1500V AC  
 Operating Temperature: -25°C ~ +85°C  
 Electrical Life: 10, 000 Cycles

Outline Drawing



Mounting



Circuitry

