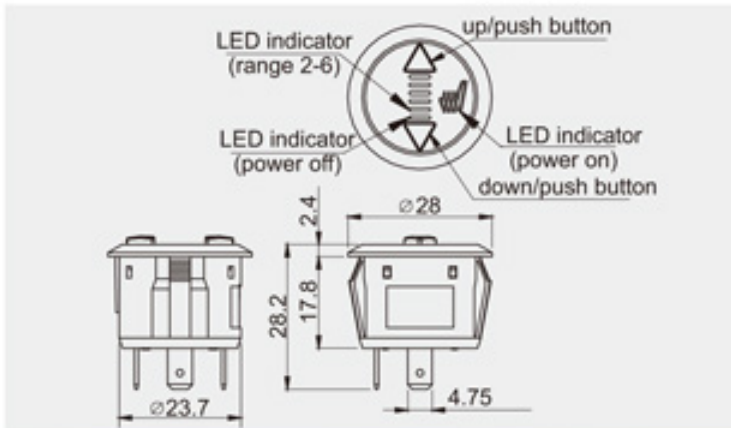
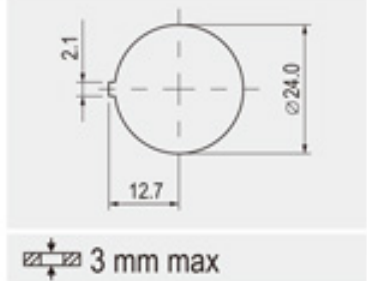


R13-926

Digital Control Switch

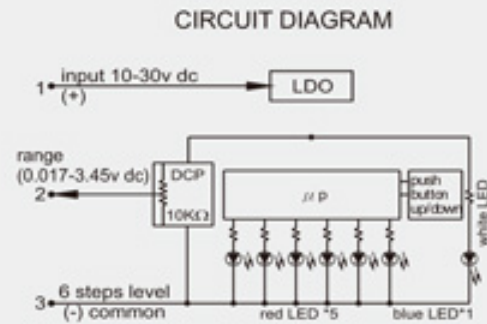


Input voltage rating	10-30V DC
Output voltage rating	0.017-3.45V DC
Insulation resistance	DC 500V 100MΩ Min
Dielectric strength	AC 1000V 1 minute
Cut-out	



FEATURES

- * MATERIAL: Frame is nylon. Button and lens are PC. Terminals are nickel plated brass.
- * Available for heat or brightness control at 6 levels.
- * Easy conditions detected by different LED indicators.
 - 1.White LED: Always light up when seat icon function is actuated.
 - 2.Red LED: Indicates the brightness or heat going up.
 - 3.Bule LED: Indicates the seat icon function off.
- * If bigger size required, please refer to R13-927 w/∅27mm cut-out.



R13-926- [] - [] - [] - []

TERMINAL	BUTTON COLOR_(down)	LED COLOR_(power off)	LED INDICATOR COLOR_(power on)
0 2 .187" SQ	U BLUE	U BLUE	W WHITE
	BUTTON COLOR_(up)	LED INDICATOR COLOR_(range 2-6)	ACTUATOR MARKING
	R RED	R RED	Optional legend on actuator, see page A1.