

SPECIFICATIONS SHEET

PRODUCT TYPE : CONDENSOR MICROPHONE

PRODUCT SERIES : PR12270-MIC

DESCRIPTION : MIC OMN 4530 2V 2.2KR 44/3 RoHS SP

1) INTERNAL 10pF AND 33pF CAP

COLOR : SILVER

ELECTRICAL SPECIFICATIONS

MODEL NO.	PR12270-MIC-C4530	
DIAMETER (A) ± 0.1	mm	$\emptyset 4.5$
HEIGHT (B) ± 0.3	mm	3.0
SENSITIVITY (0 dB = 1V / Pa) AT 1K Hz	dB	- 44.0 \pm 3.0
DIRECTIVITY		OMNIDIRECTIONAL
POWER SUPPLY (Vs)	V	2.0
RESISTANCE LOADING (RL)	Ω	2.2 K
OPERATING VOLTAGE RANGE	V	1.0 ~ 10.0
MAX. CURRENT	mA	0.5
TERMINAL		NIL
HOUSING MATERIAL		ALUMINUM
S / N RATIO	dB	MORE THAN 58.0
FREQUENCY RANGE	Hz	100 ~ 10000

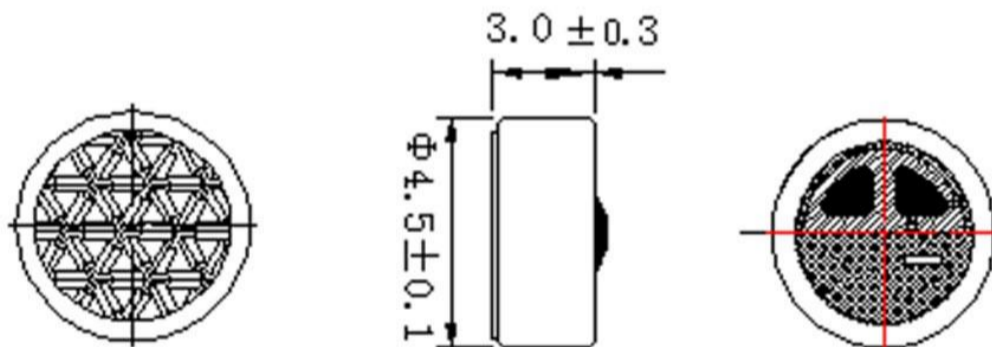
DIMENSIONS

UNIT : mm

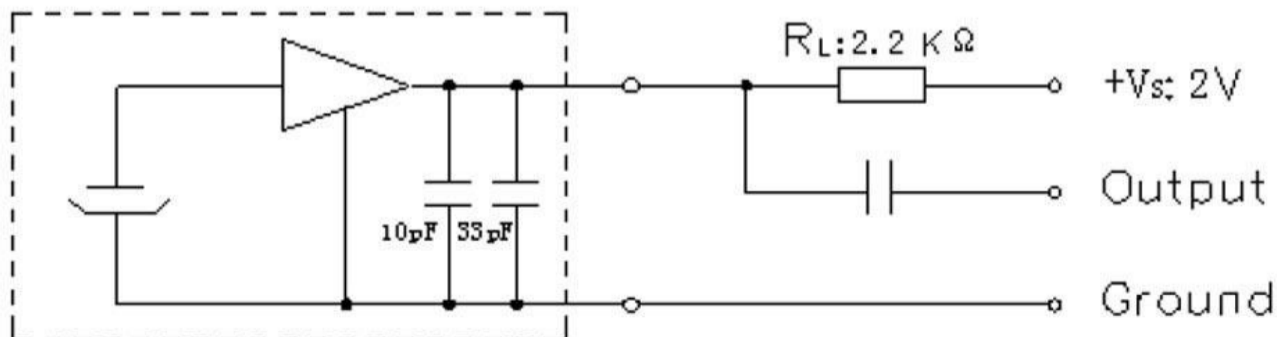
TOP VIEW

SIDE VIEW

BOTTOM VIEW



Schematic Diagram :



Approved By : Jan
Date : 5-Jul.-2012

Prepared By : Jy
Date : 5-Jul.-2012

Modify :	Date :	By :