

SPECIFICATION

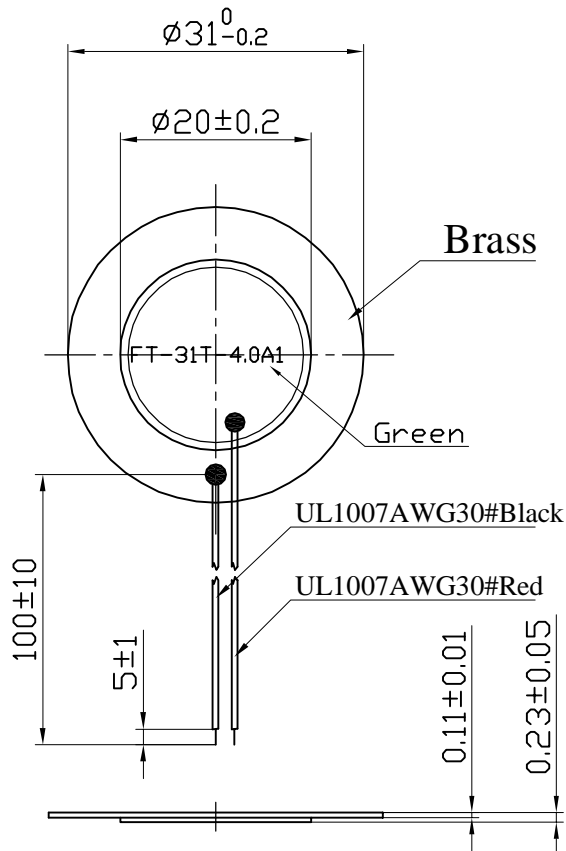
1. SCOPE

This specification is applied to the piezo-element.

2. SPECIFICATION

(at 25°C)

- | | | |
|---------------------------|---|-------------------------|
| 2.1 Resonant Frequency | : | 4.0 ± 0.5 KHz |
| 2.2 Resonant Resistance | : | 500 Ω max |
| 2.3 Capacitance | : | 50000 pF ± 30% at 100Hz |
| 2.4 Input Voltage | : | 30 Vp-p max |
| 2.5 Operating Temperature | : | -20~+50°C |
| 2.6 Storage Temperature | : | -20~+60°C |
| 3. DIMENSION | : | as per figure |



TOLERANCES UNLESS NOTED OTHERWISE .X ± .XX ± .XXX ± 90° FORMED +2° ANGLES -1° FIRST ANGLE PROJECTION 	DRAWN		KEPO MODEL NO.	CUSTOMER			
	DESIGN		FT-31T-4.0A1100	CUSTOMER NO.			
	CHECKED						
	APPROVED		DWG NO.	VER 1.0 SCALE UNIT mm SHEET			
	DATE	06.10.22	KP3.845.825.01				
	CONTRACT NO.			KEPO CO.,LTD. TEL:(+86)574-88370330 FAX:(+86)574-88370329			
AGENCY APPROVAL							