

# SPECIFICATION

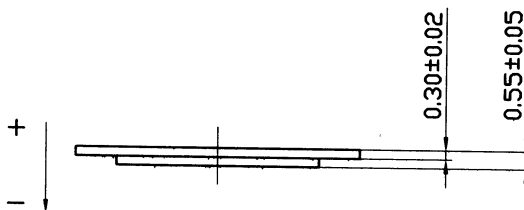
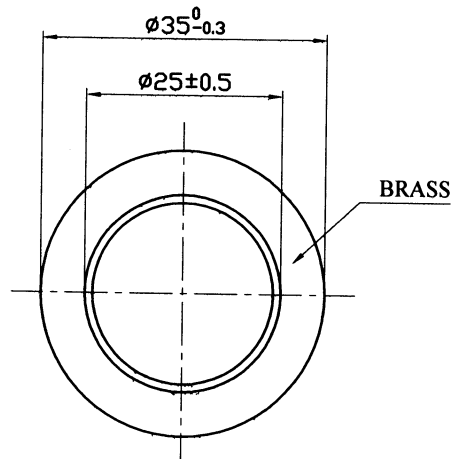
## 1. SCOPE

This specification is applied to the piezo-element.

## 2. SPECIFICATION

(at 25 °C)

- |                           |   |                        |
|---------------------------|---|------------------------|
| 2.1 Resonant Frequency    | : | 2.9 ± 0.5 KHz          |
| 2.2 Resonant Resistace    | : | 200 Ω max              |
| 2.3 Capacitance           | : | 30000pF ± 30% at 100Hz |
| 2.4 Input Voltage         | : | 30Vp-p max             |
| 2.5 Operating Temperature | : | -20~+50 °C             |
| 2.6 Storage Temperature   | : | -20~+60 °C             |
| 3. DIMENSION              | : | as per figure          |



TOLERANCES UNLESS NOTED OTHERWISE X ± XX ± XXX ± 90° FORMED +2° ANGLES -1°  FIRST ANGLE PROJECTION 	DRAWN		KEPO MODEL NO.	CUSTOMER															
	DESIGN		KP35229A					CUSTOMER NO.											
	CHECKED		DWG NO.	<table border="1" style="width: 100%; border-collapse: collapse;"> <tr> <td style="width: 10%;">VER</td> <td style="width: 10%;">1.2</td> <td style="width: 10%;">SCALE</td> <td colspan="3"></td> </tr> <tr> <td>UNIT</td> <td>mm</td> <td>SHEET</td> <td colspan="3"></td> </tr> </table>								VER	1.2	SCALE				UNIT	mm
	VER	1.2	SCALE																
	UNIT	mm	SHEET																
	APPROVED		OEM394	TEL: (+86)574-88370330 FAX: (+86)574-88370329															
	DATE	08.11.06	<b>KEPO CO., LTD.</b>																
CONTRACT NO.																			
AGENCY APPROVAL																			

1

2

3

4