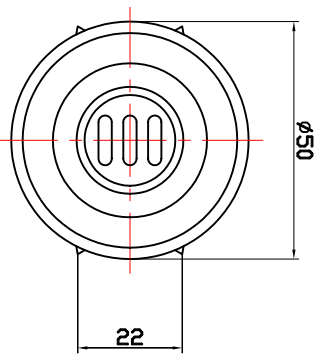
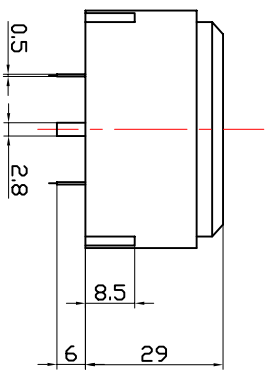
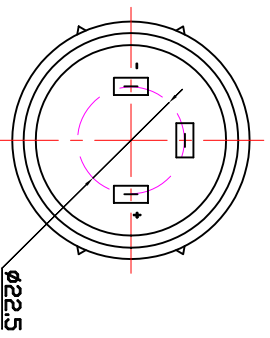
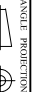


Specification

(Test Condition, 25°C)

1. Rated Voltage 12 VDC
2. Operating Voltage.....5~15 VDC
3. Max. Rated Current.....80mA
4. Min. Sound Pressure Level..... 108DB/30cm
5. Resonant Frepurrency.....2.5±0.5KHZ
6. Tone Nature..... CONTINUOUS
7. Shell Material/Color..... ABS/Black
8. Operating Temperature..... -20~+60°C
9. Store Temperature.....-30~+70°C
10. Weight.....28g



No.		DESCRIPTION		APPROVED	DATE	KEPO NINGBO KEPI IMPROVING ELECTRONIC CO.,LTD http://www.chinaacoustic.com
DESIGNER		APPROVALS		DATE		
DRAWN		CHECKED		APPROVED	DATE	
<small>FOR OVERSEAS USE</small> <small>X #</small> <small>XX #</small> <small>90° FORMED ±2°</small> <small>ANGLES</small>		<small>FIRST ANGLE PROJECTION</small> 		03.08.01		UNIT SCALE NOT TO SCALE
						DWG NO KP3.840.408
						SHEET VER 1.0