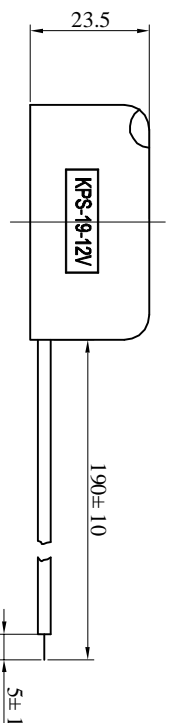
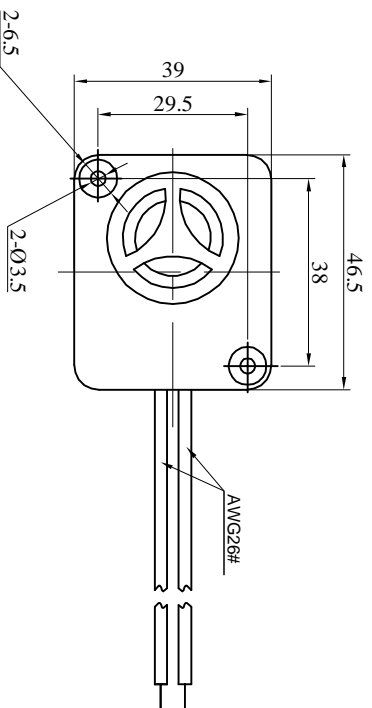


# Specification

(Test Condition, 25°C)



- 1. Rated Voltage.....12VDC
- 2. Operating Voltage.....6~15VDC
- 3. Max. Rated Current.....130mA at 12VDC
- 4. Min. Sound Pressure Level.....108dB at 12VDC/30cm
- 5. Tone Nature.....Siren
- 6. Case Material.....ABS
- 7. Operating Temperature.....-20~+60°C
- 8. Store Temperature.....-30~+70°C
- 9. Wires Connection .....Red +12V  
Black GND
- 10. Weight.....35g

No.1		DESCRIPTION		APPROVED	DATE	<b>KEPO</b> NINGBO KEPO ELECTRONIC CO.,LTD <a href="http://www.chinaacoustic.com">http://www.chinaacoustic.com</a>	
TOLERANCES/FINISH NOTED OTHERWISE		APPROVALS		DATE		Piezo Siren QUARTZ-1	
XX	h	DRAWN				KPS-19-1983	
XXX	h	CHECKED				UNIT: mm DWGNO: OEM1983	
90° ANGLES ±1°		APPROVED		05.12.20		SCALE: NOT TO SCALE SHEET: VER: 1.0	
FIRST ANGLE PERSPECTION		APPROVED					