

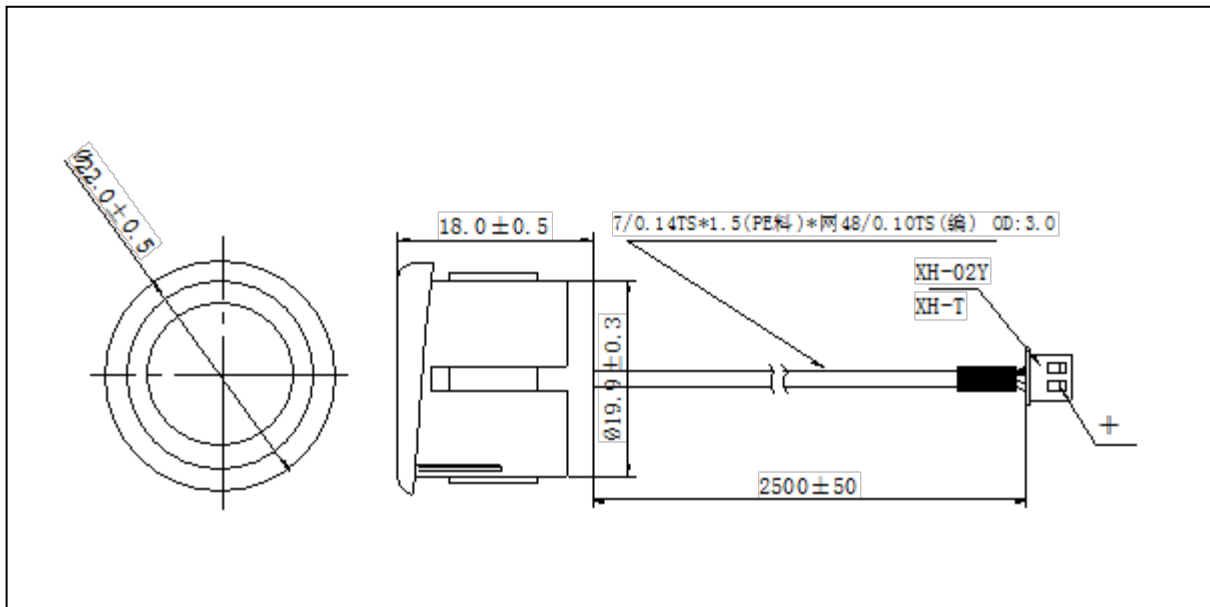
**PIEZO ULTRASONIC SENSOR SPECIFICATIONS**

■MODEL: 14U11-TK006L4-01

■ELECTRICAL SPECIFICATION:

1	Center frequency (KHz)	40±1.0 (Piezoelectric Transducer Resistance Testing System II)
2	Echo Sensitivity (mV)	≥400 (Fig. 4 Test Circuit)
3	Decay Time (ms)	≤1.2 (Fig. 4 Test Circuit)
4	Directivity (deg) X-axis	115±15 (Fig. 4 & Fig. 5 Test Circuit)
5	Directivity (deg) Y-axis	80±10(Fig. 4 & Fig. 5 Test Circuit)
6	Capacitance (pF)	2000±15% (at 25°C, 1KHZ)
7	Allowable Maximum Input Voltage(Vp-p)	140(40KHz) Pulse width 0.5ms, interval 20ms
8	Mean Time To Failure (h)	50000 ( Normal room temperature)
9	Operating Temperature(°C)	-40~+80
10	Storage temperature(°C)	-40~+85

■APPEARANCE AND DIMENSIONS



## ■ ENVIRONMENT CHARACTERISTICS

CONDITIONS	STANDARDS
High and low temperature (from -40°C to +85°C at a relative humidity of 30%)	Sensitivity shall not change by more than 30% in the temperature range from the high temperature to the low temperature
Humidity of 10% to 90% at the temperature of 25°C	Sensitivity shall not change by more than 20% in the humidity range
Storage at +85°C for 96 hours and at -40°C for 96 hours followed by a normalization period at 25°C. As shown in FIG1.	Sensitivity shall be within 30% of the specified values after the device is subjected to any or all of the conditions.
Operation at 95% relative humidity and 40°C for 100 hours, followed by a normalization period of 24 hours at 30% and 25°C. As shown in FIG2.	
Vibration at 10Hz to 55Hz, 1.5mm amplitude. 1 minute sweep. X,Y,Z,3 each axis for 3 hours.	

## ■ WATER PROOF TYPE

### NOTE:

#### 1. DESIGN RESTRICTION/PRECAUTIONS

- This sensor is designed for use in air environment. Do not use it in liquid.
- In the case where secondary accidents due to operation failure or malfunctions can be anticipated, add a fail safe function to the design.

#### 2. USAGE RESTRICTION/PRECAUTIONS:

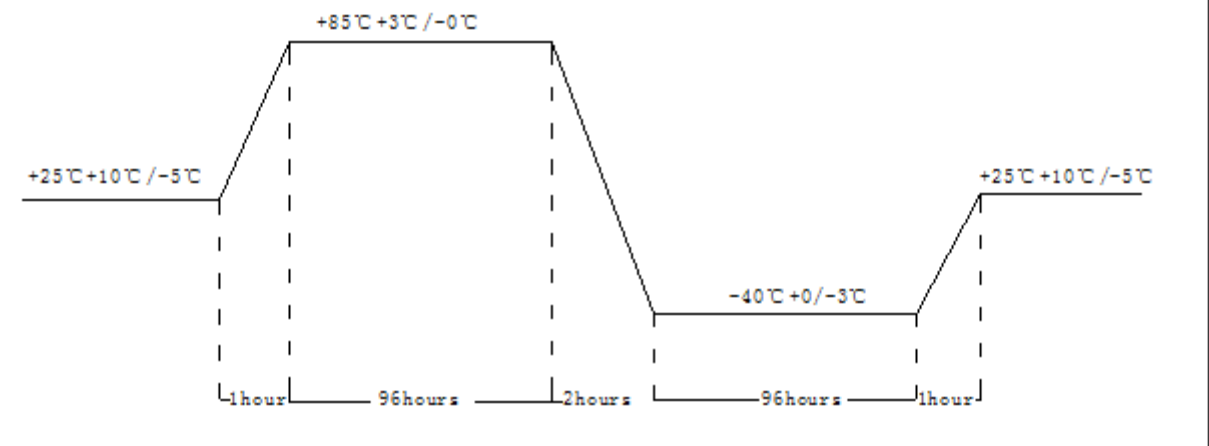
- To prevent sensor malfunctions, operational failure or any deterioration of its characteristics, do not use this sensor in the following, or similar conditions.
  - a) In strong shock or vibration.
  - b) In high temperature and humidity for a long time.
  - c) In corrosive gases or sea breeze.
  - d) In an atmosphere of organic solvents.
  - e) In dirty and dusty environments that may contaminate the sensor front.
  - f) Over specified allowable input voltage (Vp-p)

#### 3. WARRANTY:

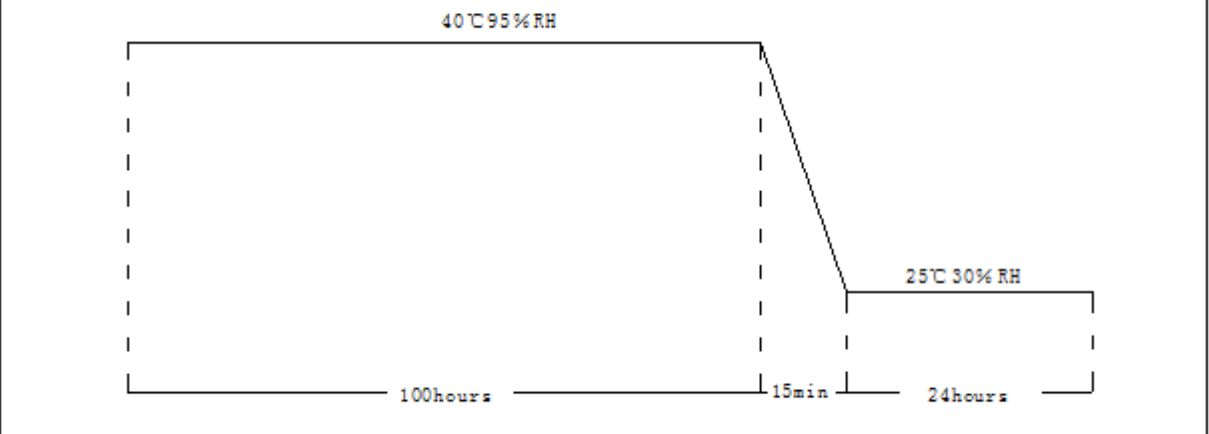
- **Period**  
Warranty period is three years after delivery.
- **Scope**  
Defective sensors attributable to manufacturer's responsibility shall be replaced for free during the warranty period.  
However, following cases are out of the scope.
  - a) Unsuitable handling or misuse by user.
  - b) Modification or repair by user.
  - c) Any other cases not due to manufacturer's responsibility such as natural calamity, accident, etc.
 This scope covers only replacement.  
Any loss derived from failure or malfunction of the sensor, or cost on replacing is excluded from this warranty scope.

## MEASURING METHOD

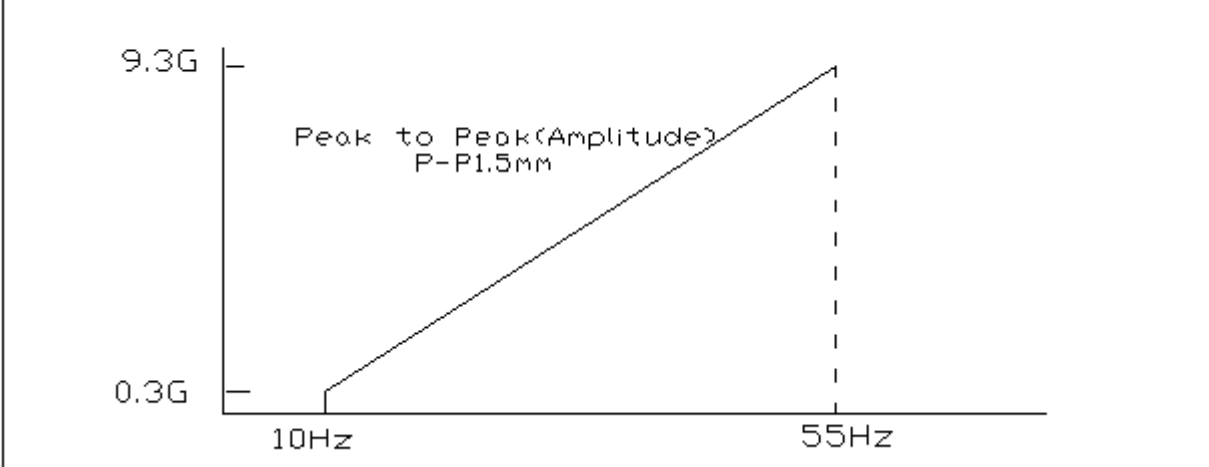
### FIG1 TEMP. TEST



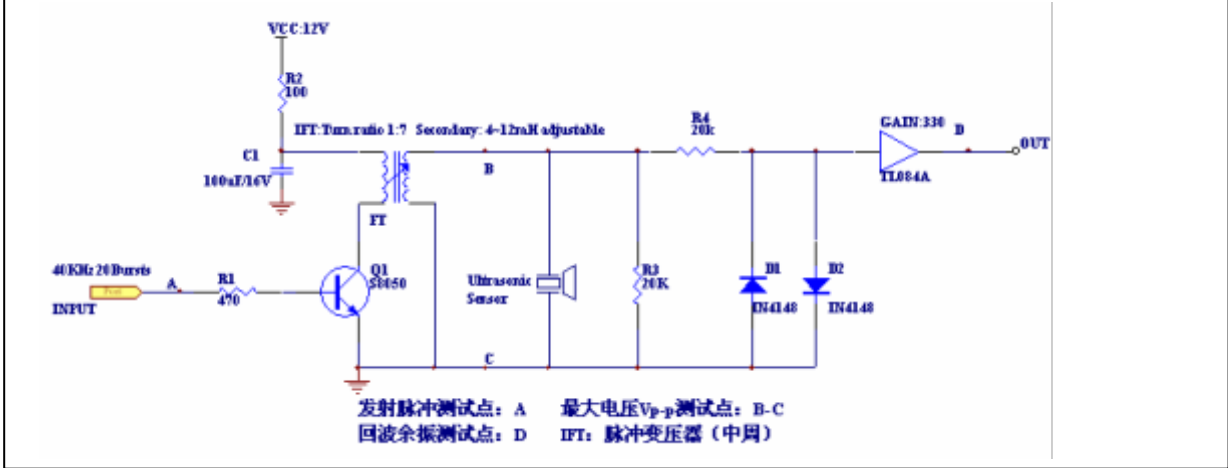
### FIG 2 TEMP. /HUMIDITY TEST



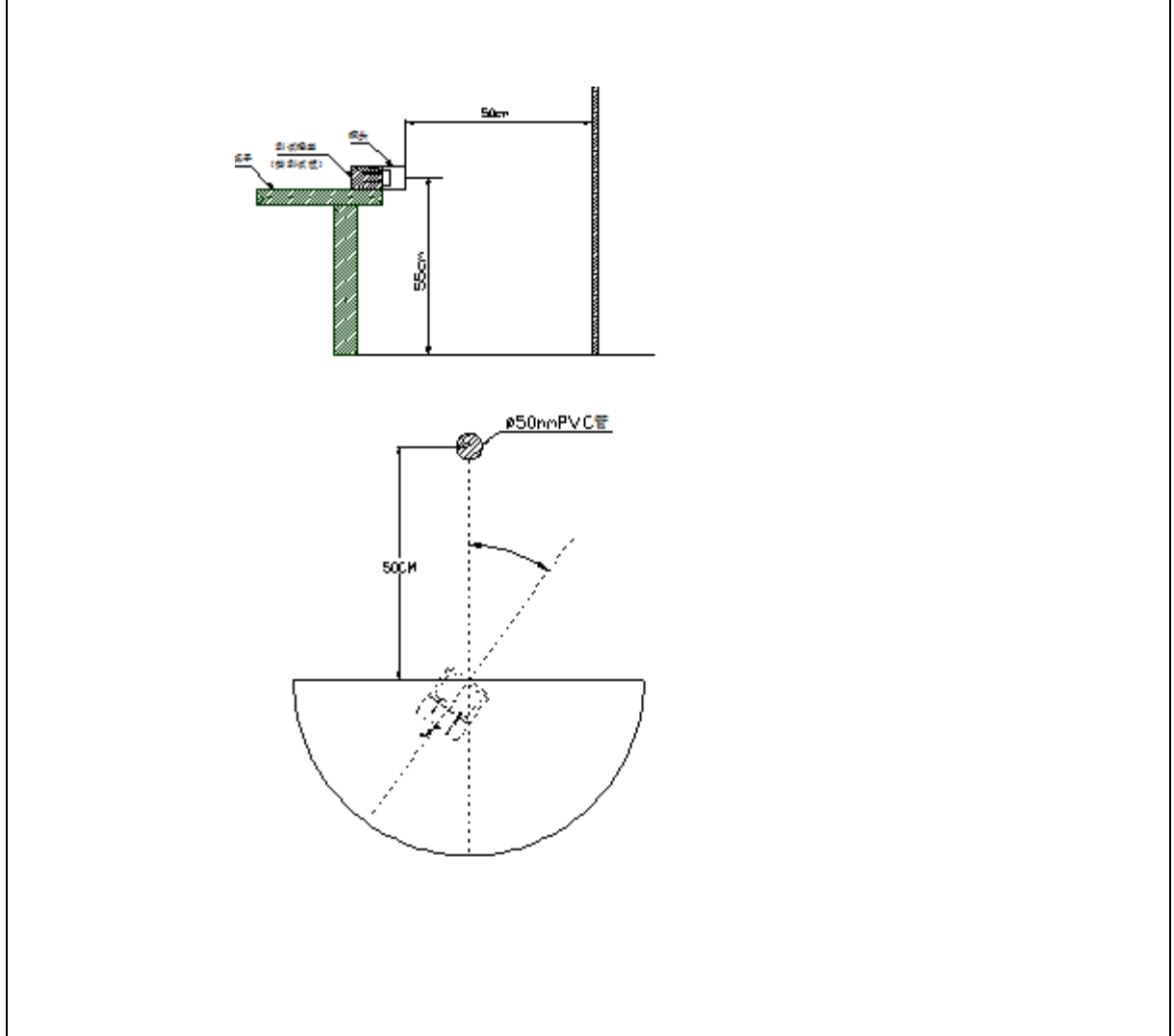
### FIG3 VIBRATION TEST



### FIG4 SIMULATION TEST CIRCUIT



### FIG5 DIRECTIVITY TEST



■ TESTING INSTRUMENT CONDITION AND LIST

No.	Testing item	Testing Equipment/Methods	Testing conditions
-----	--------------	---------------------------	--------------------

1	Resonant Frequency	Piezoelectric Transducer Resistance Testing System II	Testing Environment temperature :25±2°C
2	Echo Sensitivity	According to Fig. 4 Test Circuit	Distance to obstacle: 1 meter. Obstacle:organic glass board with 20CM*20CM*1.0CM. 1.The inductance :8mH, Qm Value: 60-80, Max Pulse ≤20 2.The Minimum detect distance≥35cm 3.The acoustic system without coupling
3	Ring Time	According to Fig. 4 Test Circuit	The sensor surface is covered by 100mm thickness of sponge 1.The inductance :8mH, Qm Value: 60-80, Max Pulse ≤20 2.The Minimum detect distance≥35cm 3.The acoustic system without coupling
4	Directivity (X-axis&Y-axis)	According to Fig. 4 & Fig. 5 Test Circuit	In normal room temperature, the distance to the ground: 55cm . The distance to the obstacle: 50cm The obstacle: diameter of 50mm PVC pipe, the obstacle height: 1 meter Note: there is no other obstacle in a circumference of 1 meter.
5	Capacitance	Digital LC ZL5	Testing temperature :25±2°C
6	Maximum Input Voltage	According to Fig. 4 Test Circuit Oscillograph: Tektronix TDS1002	Pulse Width: 0.5mS, Interval :20mS
7	Mean Time to Failure	Aging Equipment AWHY001	Normal room temperature
8	Operating Temperature(°C)	According to Fig. 4 Test Circuit, High-Low alternating temperture Cabinet	In normal room temperature, according to the Fig. 4 test circuit
9	Storage Temperature(°C)	High-Low alternating temperture Cabinet	In normal room temperature, according to the Fig. 4 test circuit

## ■Installation key Notes

1	size of fixing hole	φ 20.0mm
2	height	≥50cm
3	direction	according to the UP sign
4	space between the sensor	40-50cm