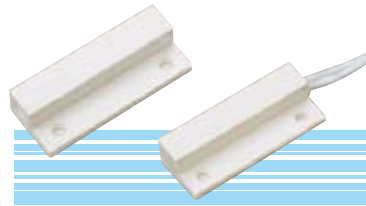


# Surface mounted

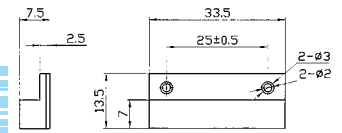
## KP-1102-S SURFACE MOUNTED



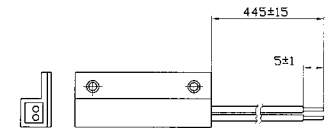
### DIMENSIONS



Available in Closed loop, Open SPDT  
ABS Housing



Top View



Side View

all dimensions are in mm

**Model No**

**KP-1102-S**

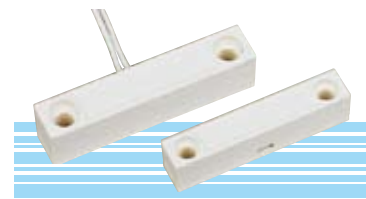
|               |                         |
|---------------|-------------------------|
| Contact Mode  | COM.,N/O,N/C            |
| Standard Gap  | Up to 1'⁄8"             |
| Rated Current | 300mA                   |
| Rated Voltage | 200VDC                  |
| Rated Power   | 3w                      |
| N.W/G.W       | 9.5 / 10 kgs            |
| Meas/QTY      | 30 × 25 × 32cm / 500pcs |

\* Value applying at rated voltage

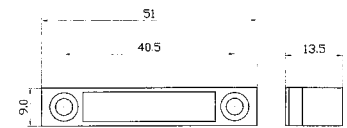
## KP-2202-S SURFACE MOUNTED



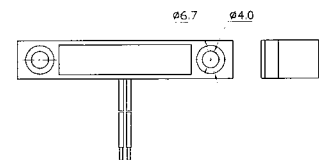
### DIMENSIONS



Available in Closed loop, Open SPDT  
ABS Housing



Top View



Side View

all dimensions are in mm

**Model No**

**KP-2202-S**

|               |                        |
|---------------|------------------------|
| Contact Mode  | COM.,N/O,N/C           |
| Standard Gap  | Up to 1'⁄4"            |
| Rated Current | 500mA                  |
| Rated Voltage | 200VDC                 |
| Rated Power   | 10 w                   |
| N.W/G.W       | 17 / 17.5 kgs          |
| Meas/QTY      | 30 × 25 × 32cm / 50pcs |

\* Value applying at rated voltage

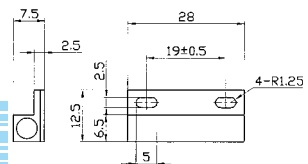
## KP-1202-S SURFACE MOUNTED



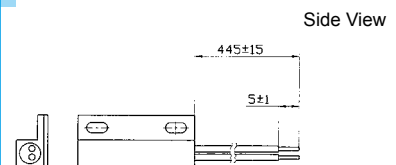
### DIMENSIONS



Available in Closed loop, Open SPDT  
ABS Housing



Top View



Side View

all dimensions are in mm

**Model No**

**KP-1202-S**

|               |                         |
|---------------|-------------------------|
| Contact Mode  | COM.,N/O,N/C            |
| Standard Gap  | Up to 1"                |
| Rated Current | 100mA                   |
| Rated Voltage | 200VDC                  |
| Rated Power   | 3 w                     |
| N.W/G.W       | 9.5/ 10kgs              |
| Meas/QTY      | 30 × 25 × 32cm / 500pcs |

\* Value applying at rated voltage

The information contained herein is believed to be correct, but no guarantee for accuracy, completeness KEPO Electronics Ltd reserves the right to make changes without notification.

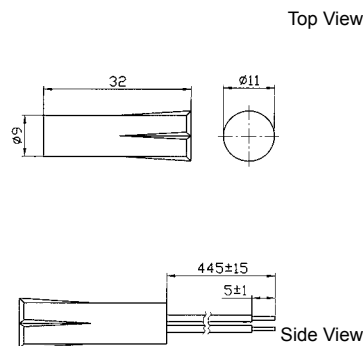
**KP-1301-R RECESSED MOUNTED**



**DIMENSIONS**



Available in Closed loop, Open SPDT  
ABS Housing



|                 |                          |
|-----------------|--------------------------|
| <b>Model No</b> | <b>KP-1301-R</b>         |
| Contact Mode    | COM.,N/O,N/C             |
| Standard Gap    | Up to 1"                 |
| Rated Current   | 100mA                    |
| Rated Voltage   | 100VDC                   |
| Rated Power     | 3 w                      |
| N.W/G.W         | 6.5 / 7.0 kgs            |
| Meas/QTY        | 30 x 25 x 32cm / 1000pcs |

all dimensions are in mm

\* Value applying at rated voltage

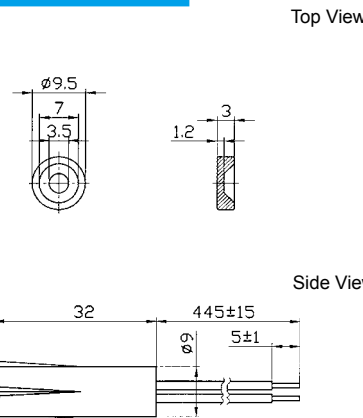
**KP-130MD-R RECESSED MOUNTED**



**DIMENSIONS**



Available in Closed loop, Open SPDT  
ABS Housing



|                 |                          |
|-----------------|--------------------------|
| <b>Model No</b> | <b>KP-1301MD-R</b>       |
| Contact Mode    | COM.,N/O,N/C             |
| Standard Gap    | Up to 5/8"               |
| Rated Current   | 100mA                    |
| Rated Voltage   | 100VDC                   |
| Rated Power     | 3 w                      |
| N.W/G.W         | 6.5 / 7.0 kgs            |
| Meas/QTY        | 30 x 25 x 32cm / 1000pcs |

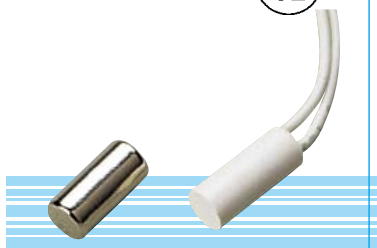
all dimensions are in mm

\* Value applying at rated voltage

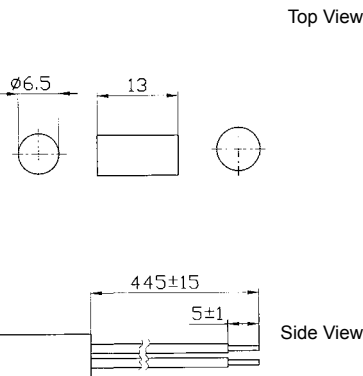
**KP-1401-R RECESSED MOUNTED**



**DIMENSIONS**



Available in Closed loop, Open SPDT  
ABS Housing



|                 |                          |
|-----------------|--------------------------|
| <b>Model No</b> | <b>KP-1401-R</b>         |
| Contact Mode    | COM.,N/O,N/C             |
| Standard Gap    | Up to 3/4"               |
| Rated Current   | 100mA                    |
| Rated Voltage   | 100VDC                   |
| Rated Power     | 20w                      |
| N.W/G.W         | 6.5 / 7.0 kgs            |
| Meas/QTY        | 30 x 25 x 32cm / 1000pcs |

all dimensions are in mm

\* Value applying at rated voltage

The information contained herein is believed to be correct, but no guarantee for accuracy, completeness KEPO Electronics Ltd. reserves the right to make changes without notification.

**KP-3101-R RECESSED MOUNTED**



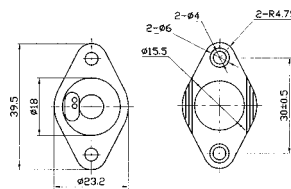
**DIMENSIONS**

Bottom View

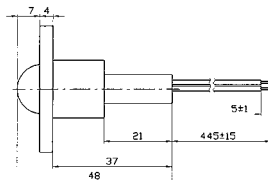
|                 |                  |
|-----------------|------------------|
| <b>Model No</b> | <b>KP-3101-R</b> |
| Contact Mode    | COM.,N/O,N/C     |
| Active Gap      | 0.6mm 2mm        |
| Rated Current   | 50mA             |
| Rated Voltage   | 200VDC           |
| Rated Power     | 10 w             |



Available in Closed loop, Open SPDT  
ABS Housing



Side View



all dimensions are in mm

\* Value applying at rated voltage

**KP-2101T-R RECESSED MOUNTED**



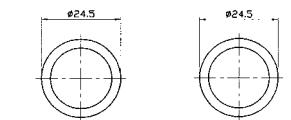
**DIMENSIONS**

Top View

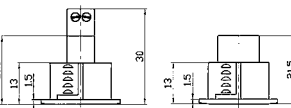
|                 |                       |
|-----------------|-----------------------|
| <b>Model No</b> | <b>KP-2101T-R</b>     |
| Contact Mode    | COM.,N/O,N/C          |
| Active Gap      | 40mm 60mm             |
| Rated Current   | 300mA                 |
| Rated Voltage   | 200VDC                |
| Rated Power     | 10 w                  |
| N.W / G.W       | 7.5/8.0 kgs           |
| Meas/QTY        | 30 x 25 x 32cm/300pcs |



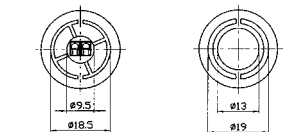
Available in Closed loop, Open SPDT  
ABS Housing



Side View



Bottom View



all dimensions are in mm

\* Value applying at rated voltage

**KP-1501-R RECESSED MOUNTED**



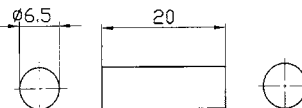
**DIMENSIONS**

Side View

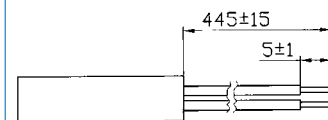
|                 |                        |
|-----------------|------------------------|
| <b>Model No</b> | <b>KP-1501-R</b>       |
| Contact Mode    | COM.,N/O,N/C           |
| Active Gap      | 15mm 25mm              |
| Rated Current   | 100mA                  |
| Rated Voltage   | 100VDC                 |
| Rated Power     | 20 w                   |
| N.W / G.W       | 7.5/8.0 kgs            |
| Meas/QTY        | 30 x 25 x 32cm/1000pcs |



Available in Closed loop, Open SPDT  
ABS Housing



Top View



all dimensions are in mm

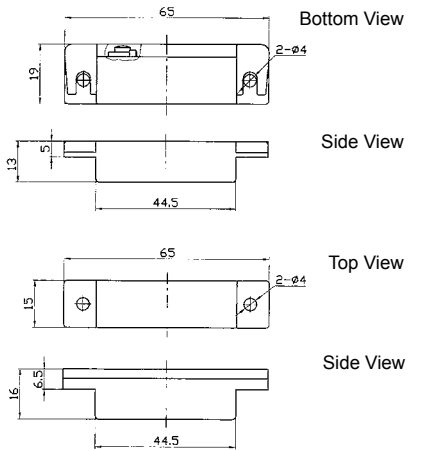
\* Value applying at rated voltage

The information contained herein is believed to be correct, but no guarantee for accuracy, completeness KEPO Electronics Ltd reserves the right to make changes without notification.

**KP-3102-S SURFACE MOUNTED**



**DIMENSIONS**



all dimensions are in mm

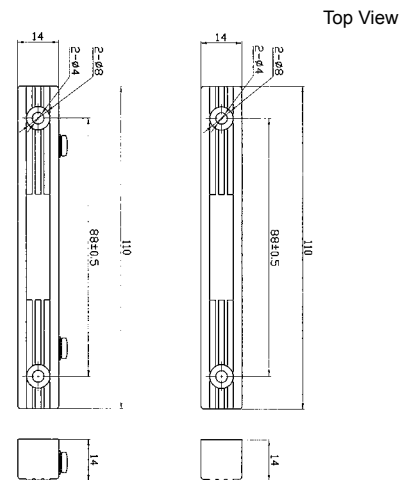
|                 |                                       |
|-----------------|---------------------------------------|
| <b>Model No</b> | <b>KP-3102-S</b>                      |
| Contact Mode    | COM.,N/O,N/C                          |
| Standard Gap    | Up to 1 <sup>3</sup> / <sub>4</sub> " |
| Rated Current   | 300mA                                 |
| Rated Voltage   | 200VDC                                |
| Rated Power     | 3 w                                   |
| N.W/G.W         | 12 / 12.5 kgs                         |
| Meas/QTY        | 30 x 25 x 32cm / 400pcs               |

\* Value applying at rated voltage

**KP-4102-SI SURFACE MOUNTED**



**DIMENSIONS**



all dimensions are in mm

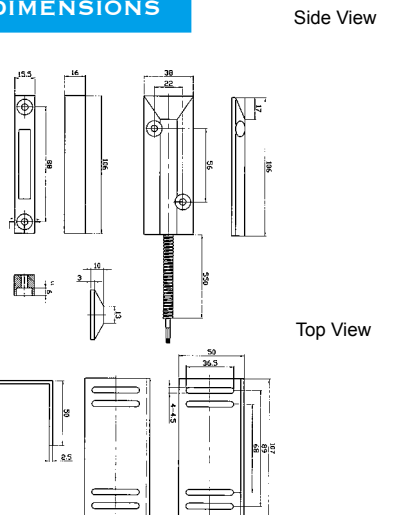
|                 |                                       |
|-----------------|---------------------------------------|
| <b>Model No</b> | <b>KP4102-SI</b>                      |
| Contact Mode    | COM.,N/O,N/C                          |
| Standard Gap    | Up to 2 <sup>3</sup> / <sub>4</sub> " |
| Rated Current   | 50mA                                  |
| Rated Voltage   | 130VDC                                |
| Rated Power     | 20w                                   |
| N.W/G.W         | 9.5 / 10 kgs                          |
| Meas/QTY        | 30 x 25 x 32cm / 100pcs               |

\* Value applying at rated voltage

**KP-1103-SD MAGNETIC SWITCHES**



**DIMENSIONS**



all dimensions are in mm

Color White  
ABS Housing Material

|                 |                        |
|-----------------|------------------------|
| <b>Model No</b> | <b>KP1103-SD</b>       |
| Contact Mode    | COM.,N/O,N/C           |
| Standard Gap    | Up to 3"ClosedLoop     |
| Rated Current   | 500mA                  |
| Rated Voltage   | 200VDC                 |
| Rated Power     | 10w                    |
| N.W/G.W         | 13 / 13.5 kgs          |
| Meas/QTY        | 30 x 25 x 32cm / 36pcs |

\* Value applying at rated voltage

The information contained herein is believed to be correct, but no guarantee for accuracy, completeness  
KEPO Electronics Ltd. reserves the right to make changes without notification.