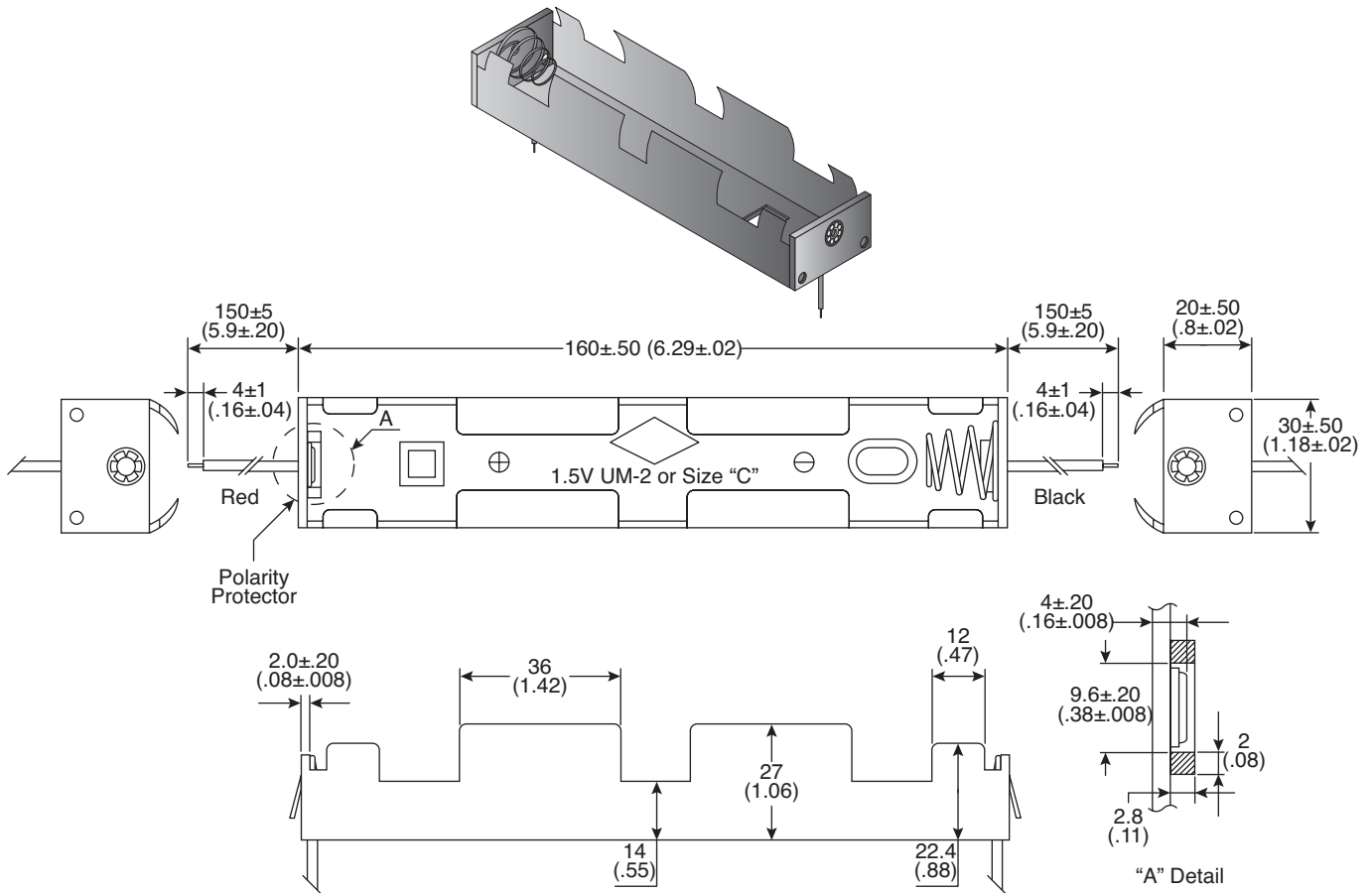


Last Revised: 5-10-12



Dimensions: mm (in.)

SPECIFICATIONS	
Wire:	AWG#24
Black & Red:	150mm+5mm
Strip & Tin:	4mm±1mm
Washer:	ø4 x ø8 x ø0.8
Material:	P.P. Resin, Black Color
Spring:	0.8mm 65C Spring Wire
RoHS Compliant	

Available from Mouser Electronics
1-800-346-6873 / www.mouser.com

EPD-200844

Mouser Electronics

Authorized Distributor

Click to View Pricing, Inventory, Delivery & Lifecycle Information:

[Eagle Plastic Devices:](#)

[12BH231A-GR](#)