

Battery holder for coin-type Lithium Battery

BH1001(ForCR/LIR2477,2450,2430)

- *The battery is solidly anchored in the holder
- *Battery can be charged very easily and you are assured of reliable firm contact
- *There is no battery damage from short circuiting or soldering.
- *BH1001 battery holder for CR and LIR series 2430 to 2450,2477.

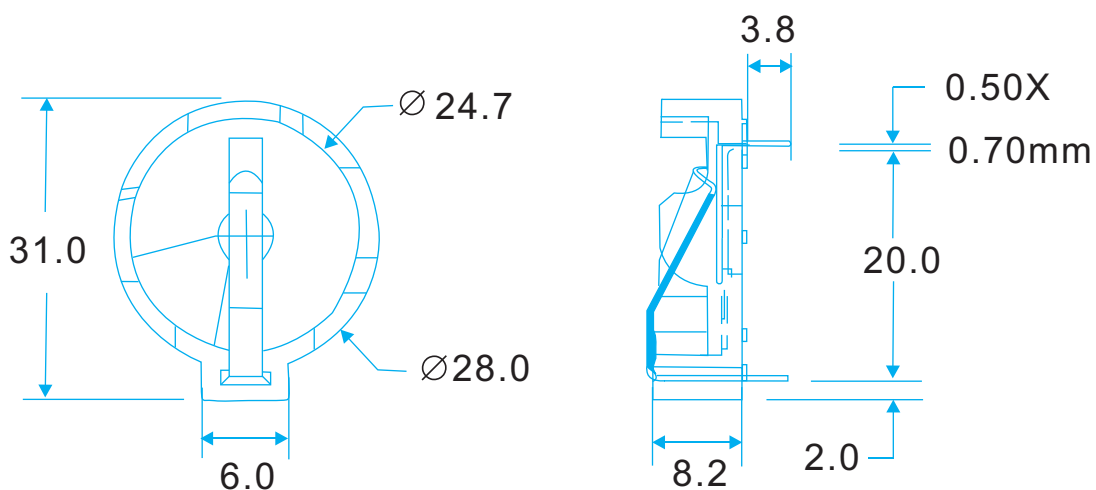
CONTACT:
0.5mm PHOSPHOR BRONZE ALLOY W/TIN PLATED

CONTACT LOADING:
3 AMP

COLOUR:
BLACK

OPERATION TEMP:
-55°C+125°C

DURABILITY:
50 CYCLES (SAME TYPE)



Specifications subject to change without notice

Battery holder for coin-type Lithium Battery

BH800 (For CR/LIR 2032,2025,2016)

- *The battery is solidly anchored in the holder
- *Battery can be charged very easily and you are assured of reliable firm contact
- *There is no battery damage from short circuiting or soldering.
- *BH800 battery holder for CR and LIR series 2032 to 2025,2016.

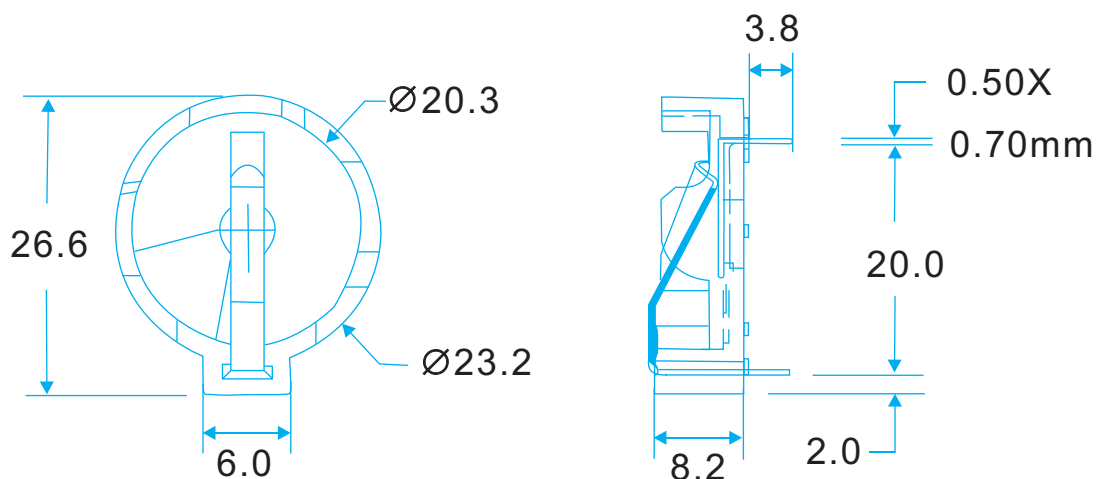
CONTACT:
0.5mm PHOSPHOR BRONZE ALLOY W/TIN PLATED

CONTACT LOADING:
3 AMP

COLOUR:
BLACK

OPERATION TEMP:
-55°C+125°C

DURABILITY:
50 CYCLES (SAME TYPE)



Specifications subject to change without notice

Battery holder for coin-type Lithium Battery

BH810(For CR/LIR2032,2025,2016)

- *The battery is solidly anchored in the holder
- *Battery can be charged very easily and you are assured of reliable firm contact
- *There is no battery damage from short circuiting or soldering.
- *BH810 battery holder for CR and LIR series 2032 to 2025,2016.

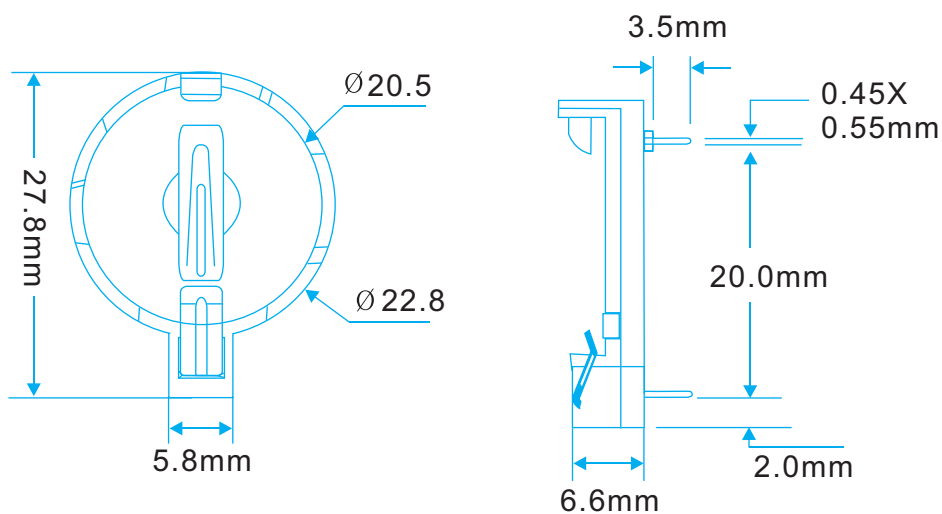
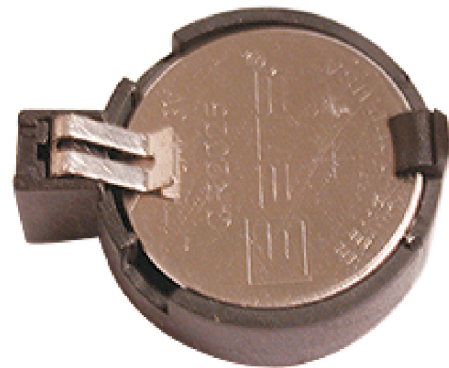
CONTACT:
0.5mm PHOSPHOR BRONZE ALLOY W/TIN PLATED

CONTACT LOADING:
3 AMP

COLOUR:
BLACK

OPERATION TEMP:
-55°C+125°C

DURABILITY:
50 CYCLES PLUG-IN-OUT (SAME TYPE)



Specifications subject to change without notice

Battery holder for coin-type Lithium Battery

BH820(For CR/LIR2032,2025,2016)

- *The battery is solidly anchored in the holder
- *Battery can be charged very easily and you are assured of reliable firm contact
- *There is no battery damage from short circuiting or soldering.
- *BH820 battery holder for CR and LIR series 2032 to 2025,2016.

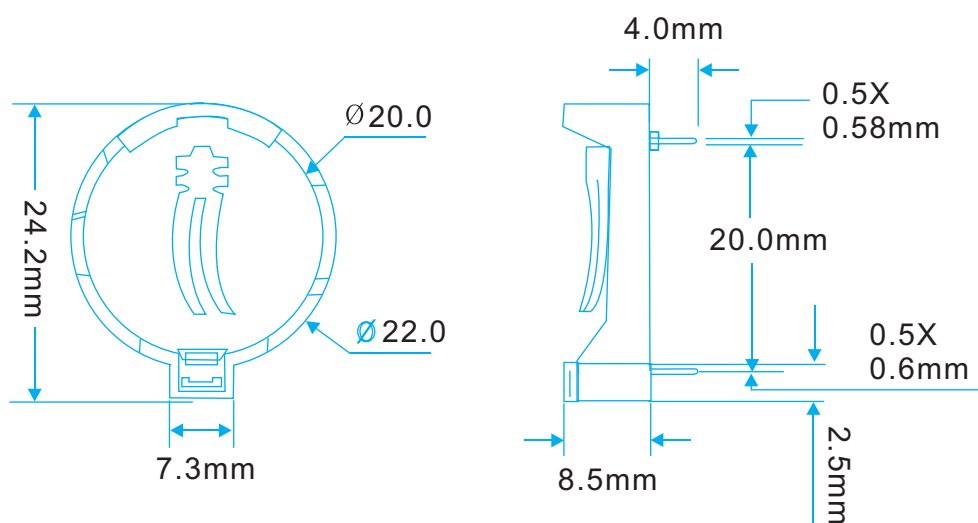
CONTACT:
0.5mm PHOSPHOR BRONZE ALLOY W/TIN PLATED

CONTACT LOADING:
3 AMP

COLOUR:
BLACK

OPERATION TEMP:
-55°C+125°C

DURABILITY:
50 CYCLES PLUG-IN-OUT (SAME TYPE)



Specifications subject to change without notice

Battery holder for coin-type Lithium Battery

BH840(For CR/LIR2032,2025,2016)

- *The battery is solidly anchored in the holder
- *Battery can be charged very easily and you are assured of reliable firm contact
- *There is no battery damage from short circuiting or soldering.
- *BH840 battery holder for CR and LIR series 2032 to 2025,2016.

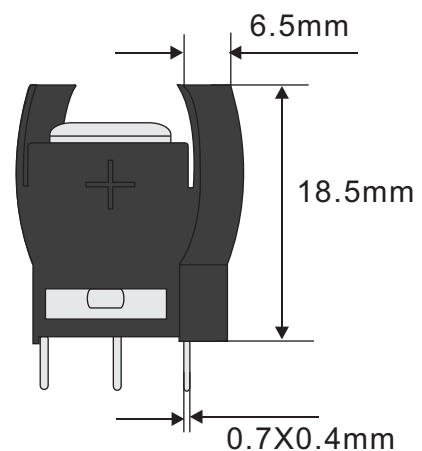
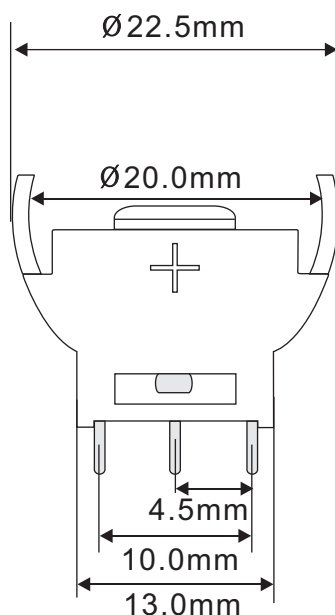
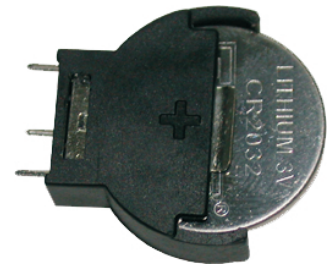
CONTACT:
0.5mm PHOSPHOR BRONZE ALLOY W/TIN PLATED

CONTACT LOADING:
3 AMP

COLOUR:
BLACK

OPERATION TEMP:
-55°C+125°C

DURABILITY:
50 CYCLES PLUG-IN-OUT (SAME TYPE)



Specifications subject to change without notice

Battery holder for coin-type Lithium Battery

BH500(ForLIR/CR1216,1220,1225)

- *The battery is solidly anchored in the holder
- *Battery can be charged very easily and you are assured of reliable firm contact
- *There is no battery damage from short circuiting or soldering.
- *BH500 battery holder for CR and LIR series 1216 to 1220, 1225.

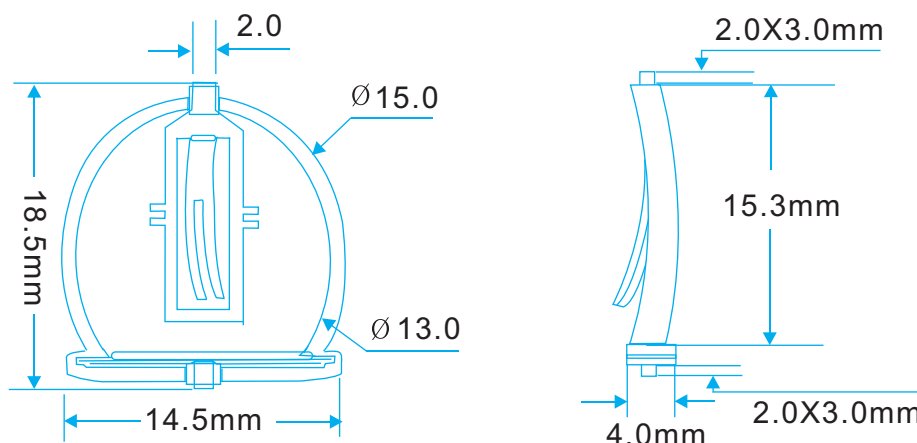
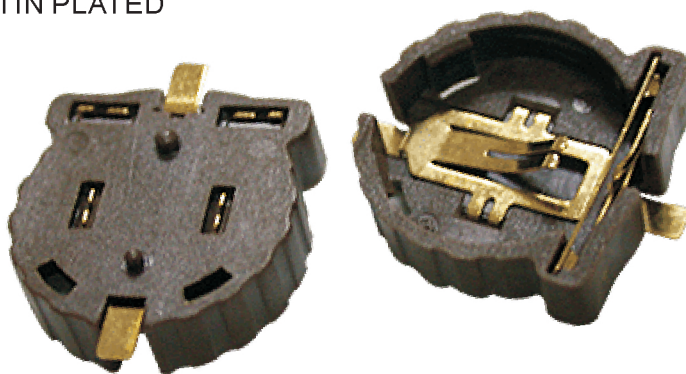
CONTACT:
0.2mm PHOSPHOR BRONZE ALLOY W/TIN PLATED

CONTACT LOADING:
3 AMP

COLOUR:
BROWN

OPERATION TEMP:
-55°C+105°C

DURABILITY:
50 CYCLES PLUG-IN-OUT (SAME TYPE)



Specifications subject to change without notice