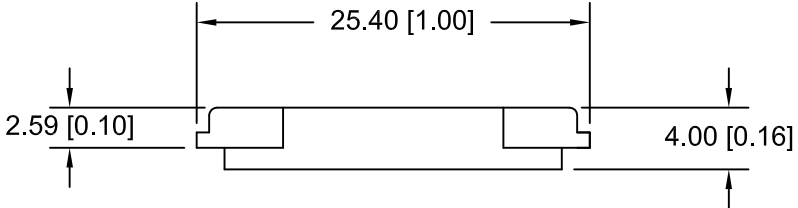
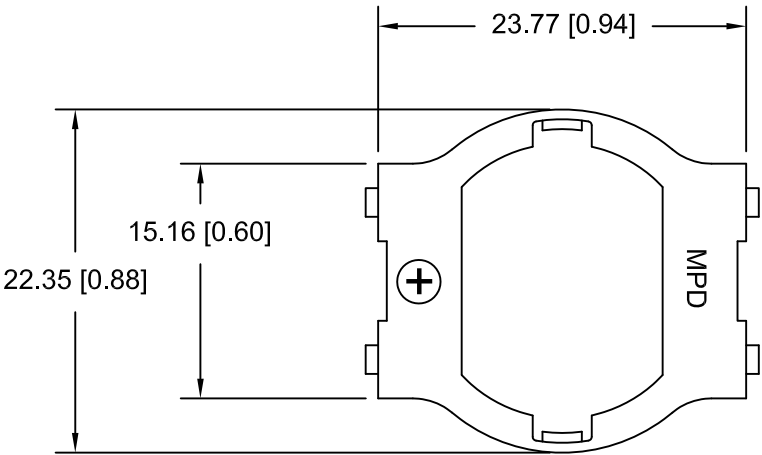



Date	SYM	REVISION RECORD	AUTH	DR.	CK.
02/17/12	A	Updated Specification	T.B.	B.S.	
03/09/12	B	Updated UL Rating	T.B.	B.S.	

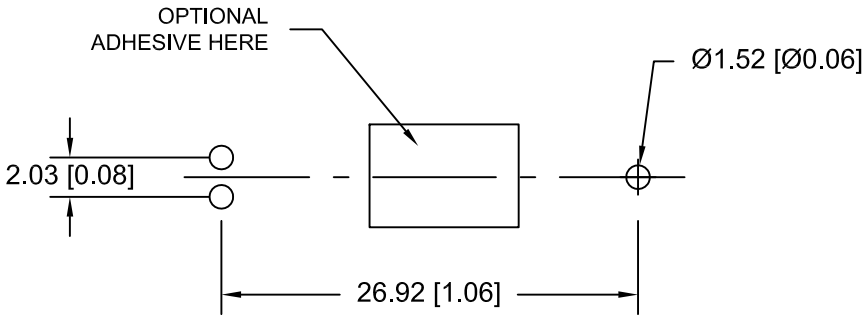
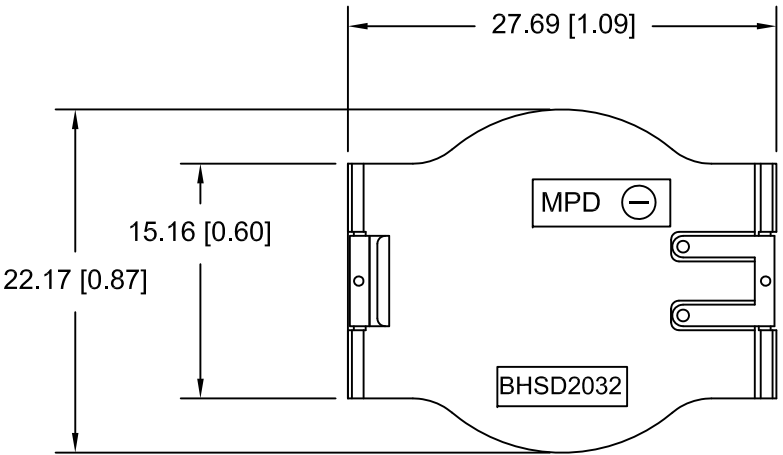


SPECIFICATIONS:

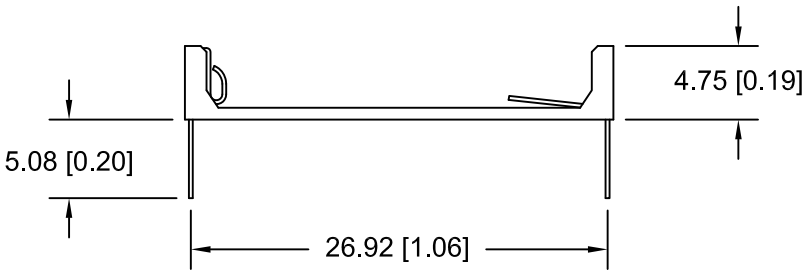
* Material- Polypropylene, High environment stress crack resistance,
 Color Clear
 Flammability rating: UL94-HB, file no. E107536

Tolerance (Inches)	 Memory Protection Devices, Inc 200 Broad Hollow Road, Farmingdale, New York 11735		
Decimal ±.5 (.020)		Scale	Drawn By B.S.
Fractional ± .8 (.030)	Title COVER FOR BHSD-2032		
Angular ± 3°	Date 03/09/12	Drawing Number BHSD-2032-COVER	
		Approved By T.B.	

Date	SYM	REVISION RECORD	AUTH	DR.	CK.
06/10/11	A	UPDATED SPECIFICATIONS	T.B.	B.S.	
08/19/11	B	UPDATED PCB LAYOUT	T.B.	B.S.	
02/24/12	C	ADDED OPTION ADHESIVE NOTE TO PCB LAYOUT	T.B.	B.S.	




PCB LAYOUT



SPECIFICATIONS:

- * Holder material- LCP Vectra, Color white, UL File No. E174096
- * Contacts : Phosphor Bronze C5191, Gold Flash, 1u - 3u thickness
- * Temperature range: -40°C to +280°C
- * Vibration Test: 10-50-10 Hz swept in 60 seconds
X,Y,Z direction: 1 hour each direction
- * Result: No dislodgement of the cell or damage
No discontinuity over 10 micro-seconds
- * Shock Test: Half sine wave acceleration 150G. 6 micro-seconds
3 shock pulses each direction per axis, total of 18 pulses
- * Result: No evidence of physical damage
- * Drop Test: 1meter - No dislodgement of cell
- * ROHS Compliant

Tolerance (Inches)	 Memory Protection Devices, Inc 200 Broad Hollow Road, Farmingdale, New York 11735		
Decimal ±.5 (.020)	Scale	Drawn By B.S. Approved By T.B.	
Fractional ± .8 (.030)	Title BASE, CR2032 THROUGH HOLE BATTERY		
Angular ± 3°	Date 02/24/12	Drawing Number BHSD-2032-PC	