

# ZA13 maratone

PR48  
Hearing Aid Battery  
Swiss Made



## Technical Data Sheet

### Specifications

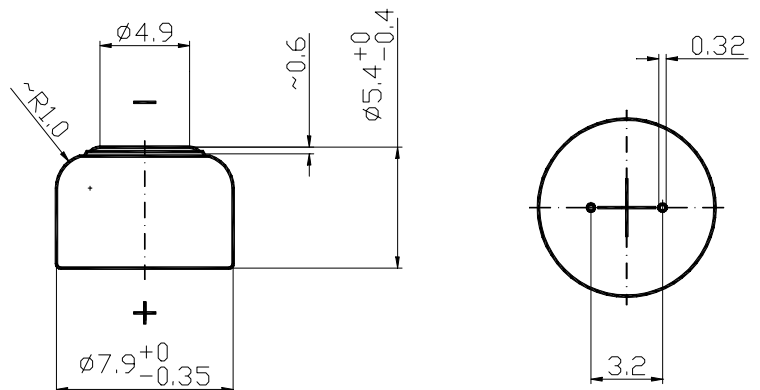
Chemical system	Zinc / Air
Nominal Voltage	1,4 V
Capacity	<b>305 mAh</b> , discharge over 1,500 kΩ 12 hours per day at 20°C to 0,9 V
Self Discharge	Less than 5% per year at 20°C with label applied
Weight	~0,85 g (0.03oz.)

**These batteries need air when they are used**  
**Battery compartment must allow free access of air**

### Dimensions

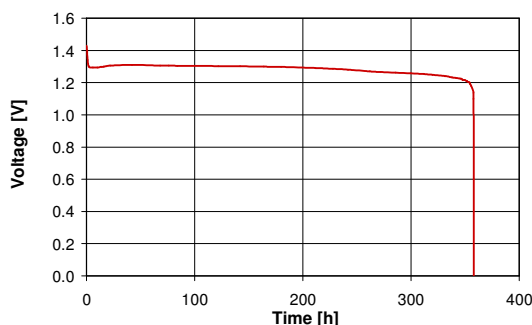
(according IEC 60086-2)

Diameter	7.83 mm (0,308")
Height	5.30 mm (0,213")



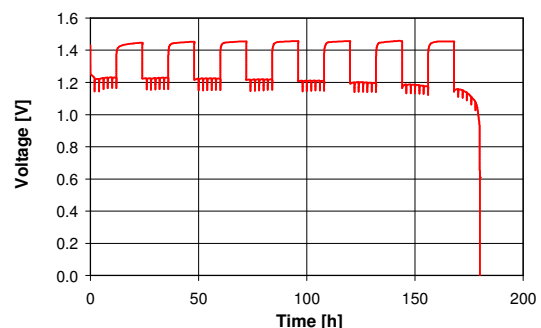
### Discharge Curve

Constant Resistance Load  
1,500 kΩ



12 hours per day at 20°C, 50% rh  
(according IEC 60086-2)

High Power Load  
3 mA current drain, 12 mA pulsed drain for 100 ms every 2 hours



12 hours per day at 20°C, 50% rh  
(according IEC 60086-2, 35/1185/CD)

*Information and contents in this data sheet are for reference purpose only. They do not constitute any warranty or representation and are subject to change without notice. For most current information and further details, please contact your Renata representative.*

Rev. ZA13.14 03/07