

JXO Series

Clock Crystal Oscillator

Features

- It is an ultracompact oscillator with a C-MOS IC built in that is the same shape (height 3.5mm) as a crystal device.
- It is a completely sealed type with a metal case.
- The case comes with a grounding terminal.
- It is also possible to attach a stand-off. (option)
- It is provided with multiple standard frequencies.



Specifications

Item	Type	JXO-5	JXO-5A	JXO-7	
Frequency Range		1~20MHz	* 1	20.1~50MHz	50.1~70MHz
Standard Frequency		Table 1	15.36	Table 1	
Frequency Stability		$\pm 100 \times 10^{-6}$	$\pm 30 \times 10^{-6}$	$\pm 100 \times 10^{-6}$	
Operating Temperature Range		-10~+70°C	-30~+70°C	-10~+70°C	
Storage Temperature Range		-20~+80°C	-30~+80°C	-20~+80°C	
Supply Voltage		5V \pm 0.5V			
Current		20mA MAX.	5.0mA MAX.	25mA MAX.	50mA MAX.
Load		50pF (10LS TTL)	15pF (2TTL)	15pF (10LS TTL)	
Output Level		$V_{OH} : V_{DD} - 0.5V \text{ MIN.} / V_{OL} : 0.5V \text{ MAX.}$			
Output Symmetry		40~60%			
Rise Time/Fall Time		20ns MAX.	15ns MAX.		10ns MAX.
Start-up Time		3ms MAX.	1.5ms MAX.	10ms MAX.	
Vibration		10~55Hz Amplitude 1.5mm, Cycle 1 minute, 3 direction, 1 hour each			
Shock		1000G			
Weight		0.6g			

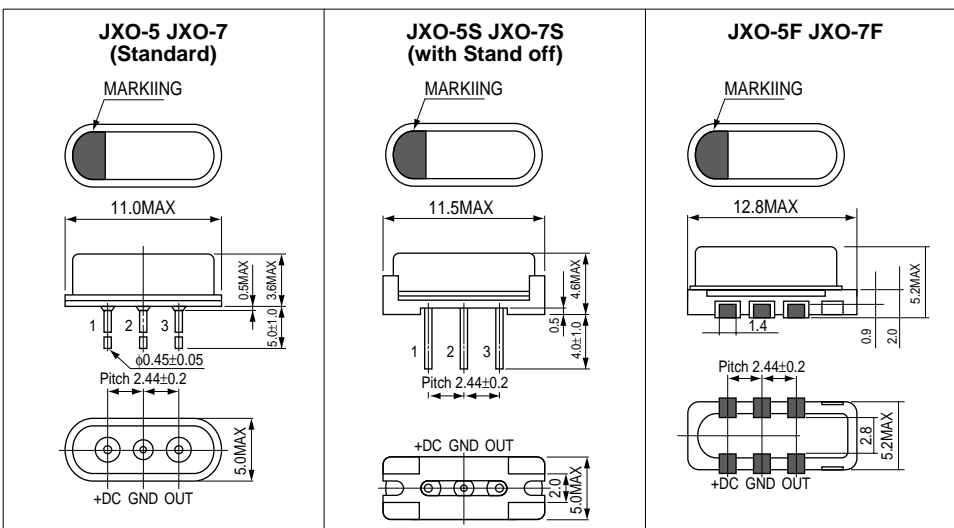
* Please contact us for frequency range of JXO-5A.

Table 1

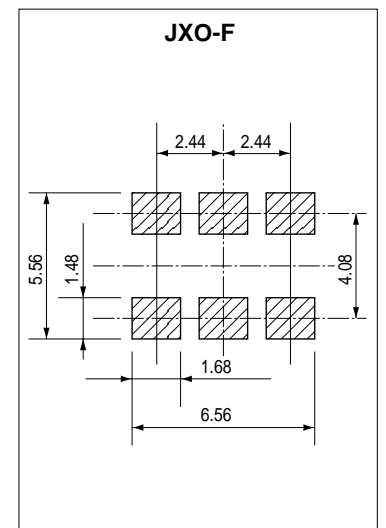
Standard Frequencies(MHz)

JXO-5, JXO-7		
1.000	12.800	24.000
1.8432	14.31818	24.576
2.4576	14.7456	25.000
3.579545	15.000	25.175
3.6864	15.360	27.000
4.000	16.000	28.63636
4.9152	16.384	30.000
5.000	16.9344	32.000
6.000	17.734476	33.3333
6.400	18.000	33.8688
7.680	18.432	39.675
8.000	19.200	40.000
10.000	19.6608	48.000
12.000	20.000	50.000
12.288	21.0526	66.667

Outline



Land Pattern



Dimensions(mm)