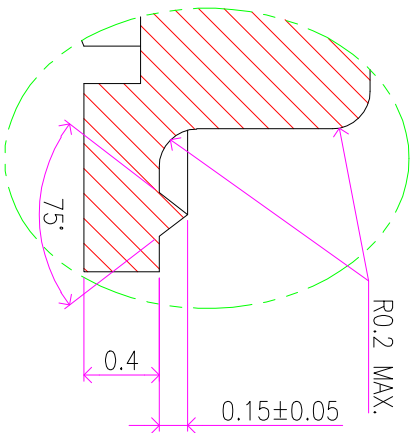
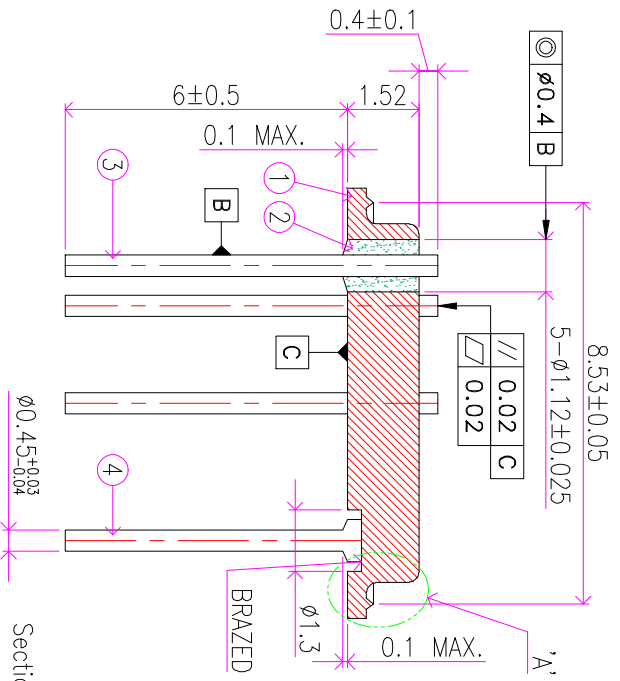
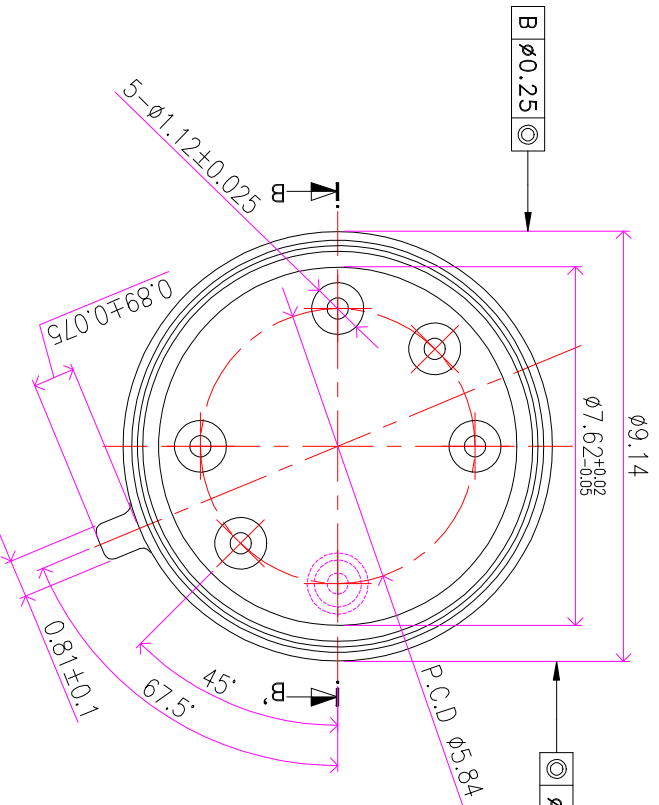


ITEM	DESCRIPTION	MATERIAL	QTY	SIZE	PART DRAWN NO	WT(Kg)
1	HEADER	SPCC	1	-	JD-MH-085	-
2	GLASS	HARD	3	-	JD-MG-055	-
3	LEAD	KOVAR(P-L)	3	-	JD-ML-094	-
4	GND LEAD	KOVAR	1	-	JD-ML-095	-
5	BRAZED	Bag-8	1	-	JD-MG-007-3	-



Detail of 'A'  
<Scale 4:1>



- NOTE
1. Leak test after high temp. test : 500°C 1Min.  $\leq 1 \times 10^{-8}$  atm. cc/sec;
  2. Leak Test :  $\leq 1 \times 10^{-8}$  atm. cc/sec;
  3. Resistance insulation test : 100V 1000\*10M $\Omega$ .
  4. Ni-ELP 3~5 $\mu$ m + Au PLATING 0.03 $\mu$ m MIN.

**Farim** ELECTRONICS CORP.

Project Title  
T0-39 (5+1P)-152T OUTER 6.0mm  
Drawing No.  
GEC-T039-114

Designed by	Checked by	Approved	Reference	Date	Scale	Sheet
		JD-B-114Au		2015.07	-	
<b>Farim</b> ELECTRONICS CORP.						
③						
②						
①						
Mark	Revision	Date	Drawn	Check	Appr	Note