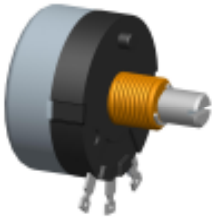




## 28mm Wire Wound Potentiometer

**RA28Y**



**Part Number**

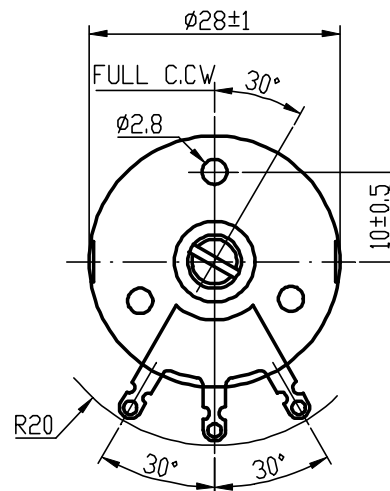
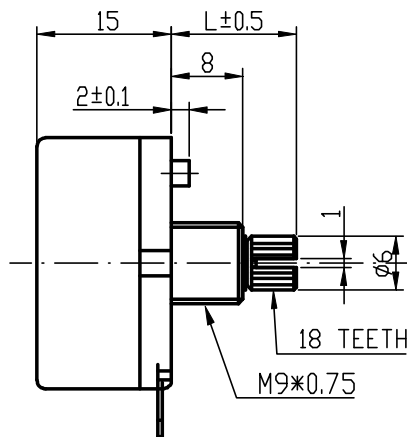
**RA28Y – 10K, L- 15 RE**

Resistance value

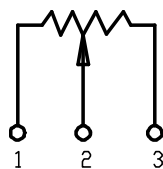
Shaft Length

Shaft Type

### Dimensions



CIRCUIT



F	15	
KC	15	
RE	20	20



## 28mm Wire Wound Potentiometer

### General

Operating temperature	- 10°C ~ + 70°C
Manual soldering	300°C Max 3sec

### Electrical Characteristics

Total resistance	5 Ω ~ 3K Ω	
Resistance tolerance	±20%	
Resistance taper	B	
Sliding noise	80mV Max	
Rated power(W)	1.5W	
Insulation resistance	100MΩ at DC 500V	
Residual resistance	4 ~ 50 Ω Less than 0.5 Ω	101 ~ 500 Ω Less than 2 Ω
	51 ~ 100 Ω Less than 1 Ω	1K ~ 5K Ω Less than 2% Ω
Withstand voltage	1mlnute at AC1000V 50HZ	

### Mechanical Characteristics

Total rotational angle	300°±5 °
Rotational torque	30~300gf.cm
Rotational topper strength	5Kgf.cm max / 3sec
Shaft push-pull strength	10Kgf.cm max. / 3sec
Rotational life	15,000 Cycles