

NIS083-3 lenses for Nichia 083 LEDs

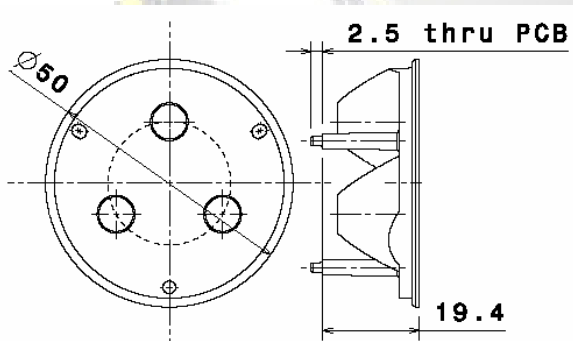


- Designed for Nichia 083 LEDs.
- Lens material optical grade PMMA with high UV and temperature resistance (105°C/220°F)
- High optical efficiency, >85%
- No lens holder. Fastening to heat sink with droplets of glue or by heat staking of legs
- Diameter 50 mm (MR16)
- Mechanical CAD models available upon request
- Both lens types have the same outer dimensions.

LENS TYPES

NAME	ORDERING CODE	FWHM Angle
NIS083-3 medium	NIS083-3-M (n. 10436)	±14°
NIS083-3 wide	NIS083-3-W (n. 10364)	±30°

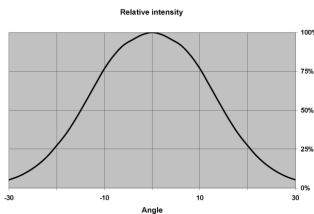
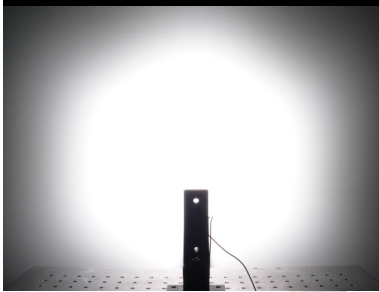
DIMENSIONS



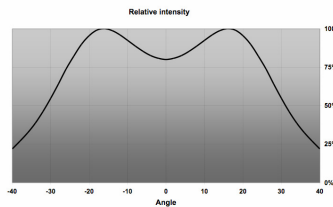
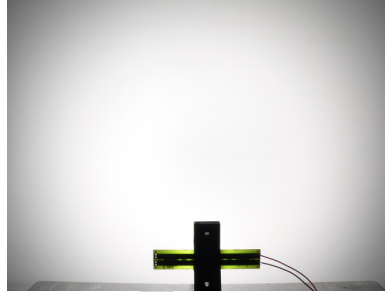
© Ledil Oy – PRELIMINARY - Subject to change without prior notice

MEASUREMENT DATA & PHOTOGRAPHS

NIS083-3-M

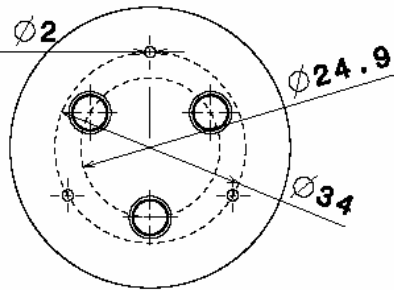


NIS083-3-W



PCB LAYOUT

Lens Pin Size $\varnothing 2$



NOTE: 120° between each 2 lenses and each 2 lens pins

PACKAGING

Lenses are packed in carton boxes of 384 pieces.