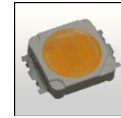


TINA-TAPE lenses for NICHIA 083 LEDs



- Designed & optimized for Nichia's 083 series of LEDs
- Lens material optical grade PC with high UV and temperature resistance (130°C/220°F). Allows use of high current and temperature conditions
- Best available optical efficiency, over 90%, with an extremely good cutoff of light
- Fastening to heat sink with a PU foam adhesive tape of automotive grade (included)
- Compact dimensions 16.1 x 10.1 mm.

LENS TYPES

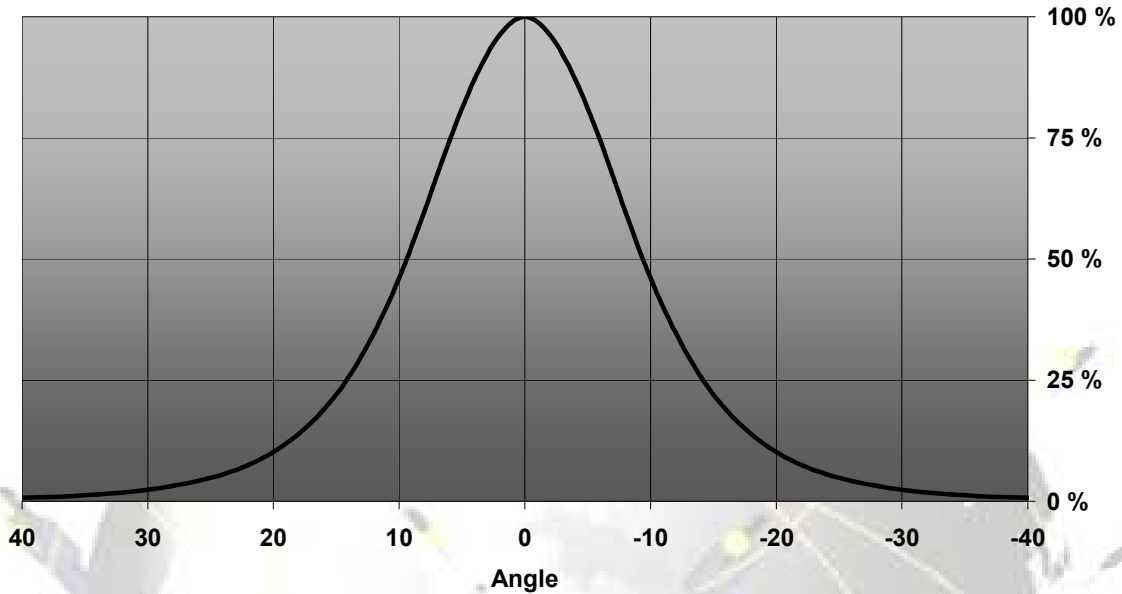
NAME	ORDERING CODE	FWHM Angle
TINA-N083 DIFFUSER	TINA-N083-D FA10646	±9°
TINA-N083 MEDIUM	TINA-N083-M FA10647	±16°

© Ledil Oy – PRELIMINARY - Subject to change without prior notice

MEASUREMENTS

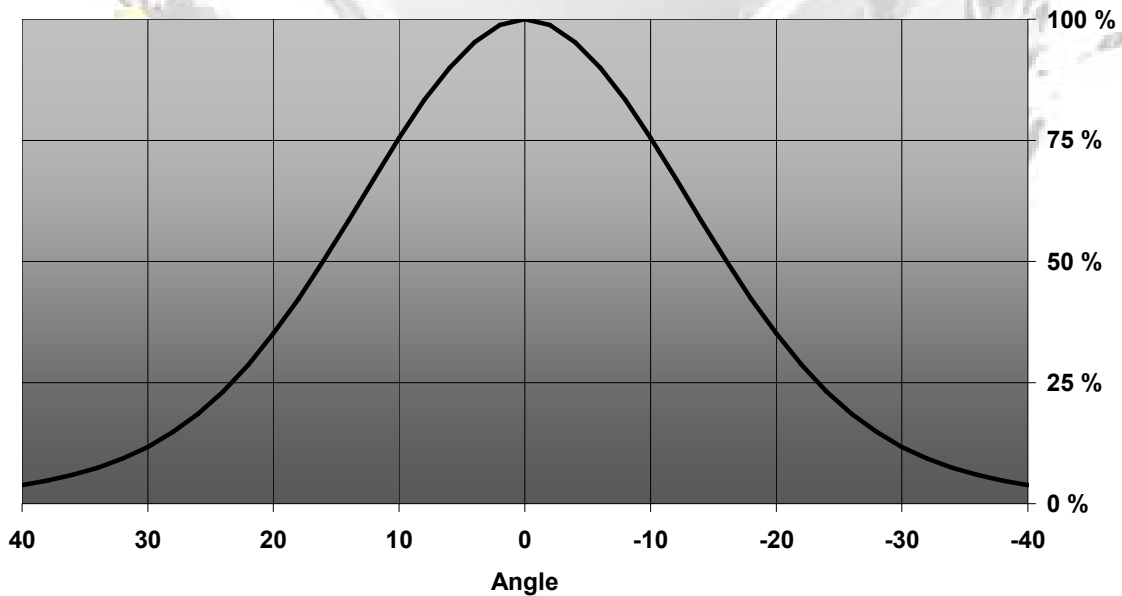
TINA-XP-D

Relative Intensity of Tina-N083-D



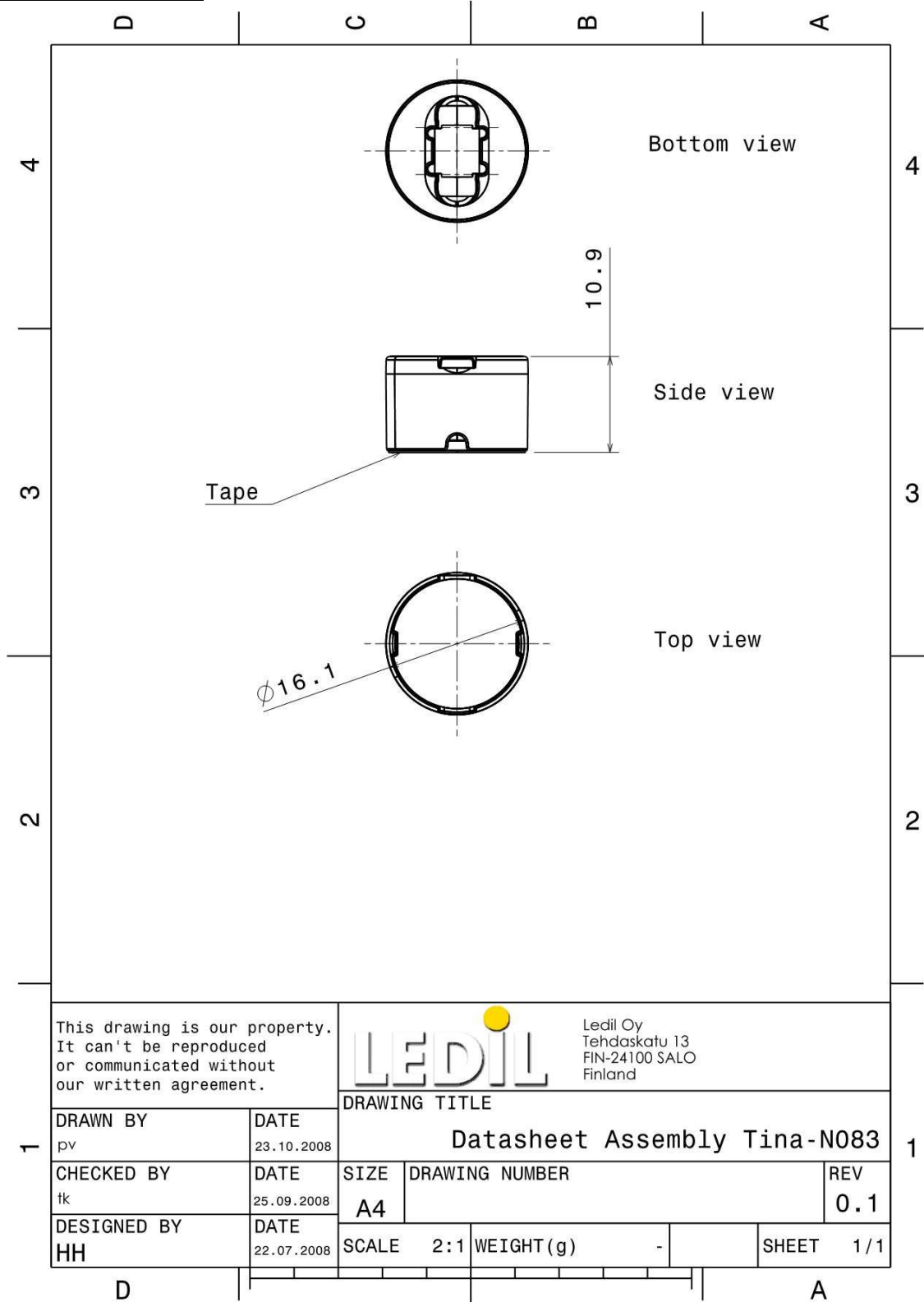
TINA-XP-M

Relative Intensity of Tina-N083-M



© Ledil Oy – PRELIMINARY - Subject to change without prior notice

DRAWINGS



© Ledil Oy - PRELIMINARY - Subject to change without prior notice