

## TINA-TAPE lenses for NICHIA 183/083 LEDs



- Designed & optimized for Nichia's 183/083 series of LEDs
- Lens material optical grade PC with high UV and temperature resistance (130°C/220°F). Allows use of high current and temperature conditions
- Best available optical efficiency, over 90%, with an extremely good cutoff of light
- Fastening to heat sink with a PU foam adhesive tape of automotive grade (included)
- Compact dimensions 16.1 x 10.1 mm.

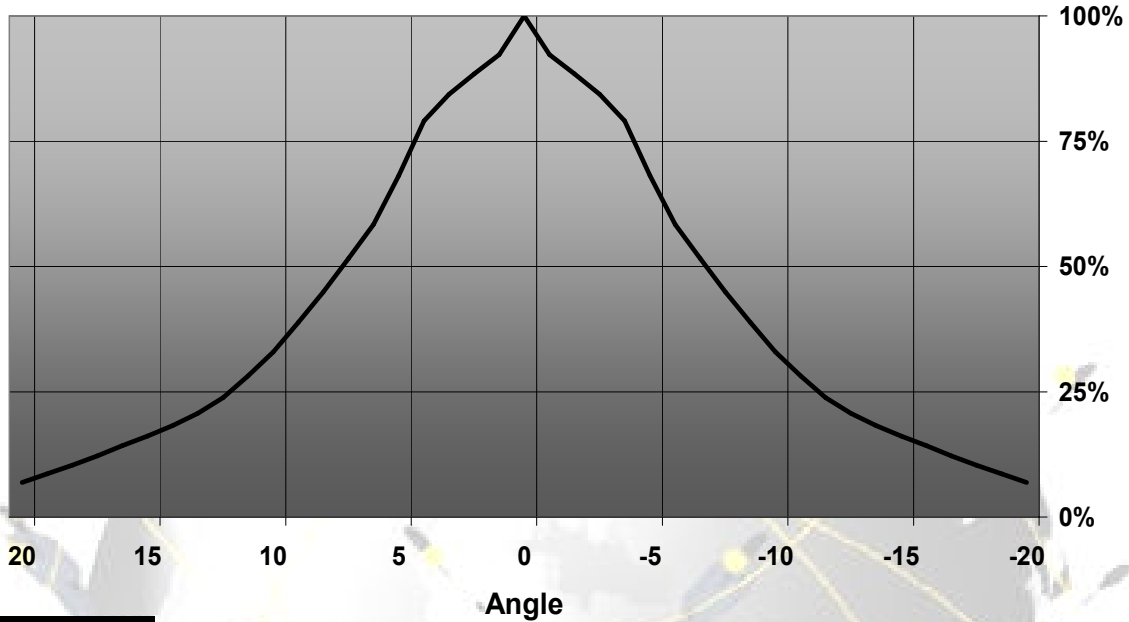
### LENS TYPES

NAME	ORDERING CODE	FWHM Angle
Tina-N83 Real Spot	FA10888_Tina-N83-RS	±7°
Tina-N83 Diffuser	FA10646_Tina-N83-D	±9°
Tina-N83 Medium	FA10647_Tina-N83-M	±16°
Tina-N83 Oval	FA11201_Tina-N83-O	coming soon
Tina-N83 Wide	FA10839_Tina-N83-W	±21°
Tina-N83 WW	FA10901_Tina-N83-WW	±31.5°

## MEASUREMENTS

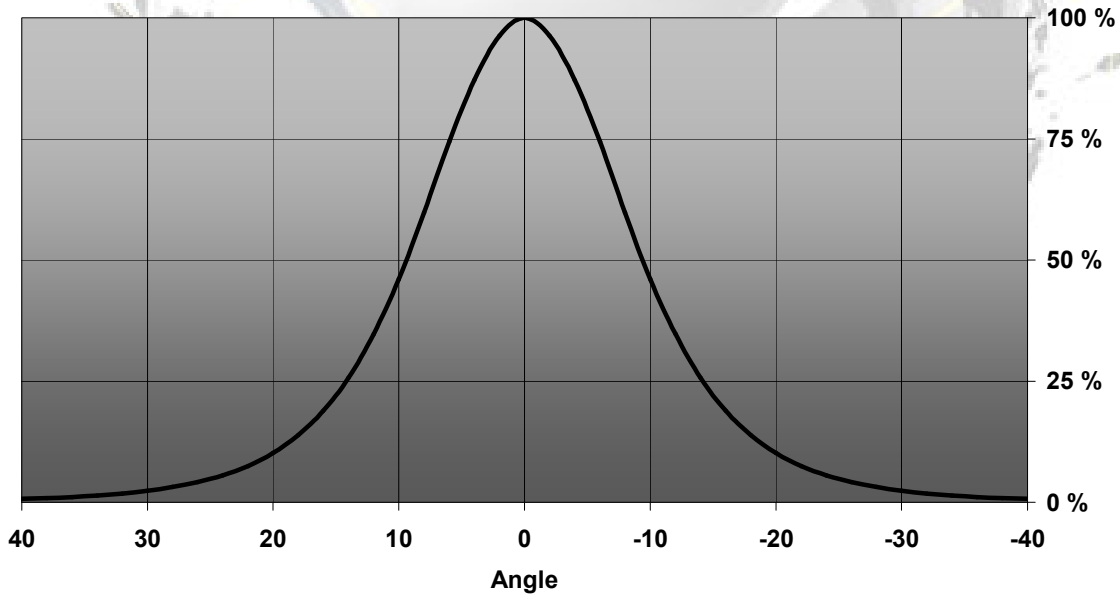
### TINA-N83-RS

Relative Intensity of FA10888\_Tina-N83-RS



### TINA-N83-D

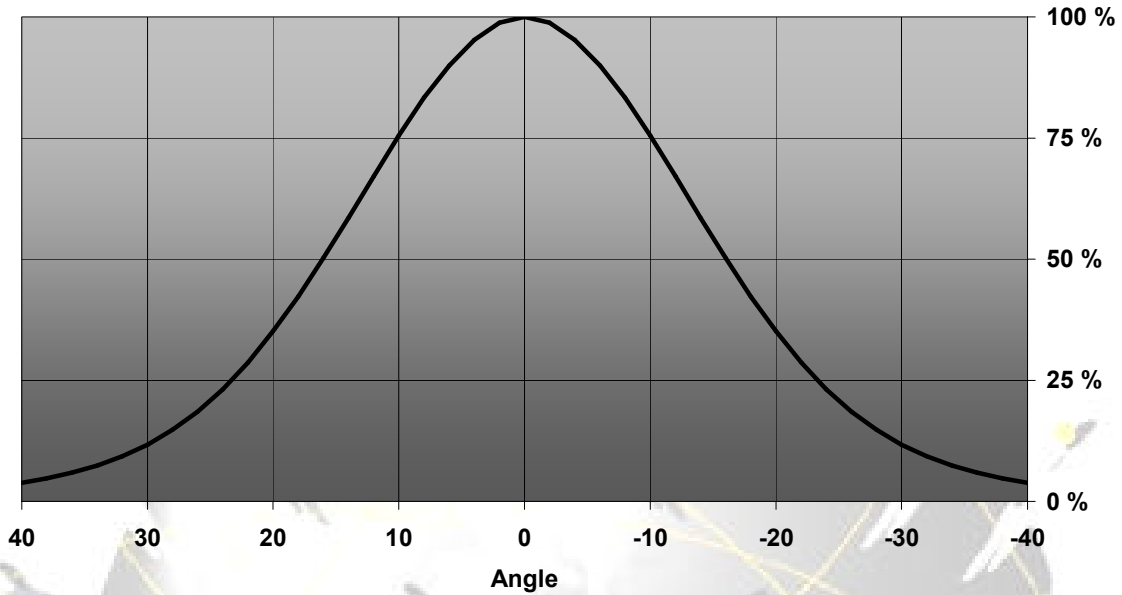
Relative Intensity of Tina-N083-D



© Ledil Oy – PRELIMINARY - Subject to change without prior notice

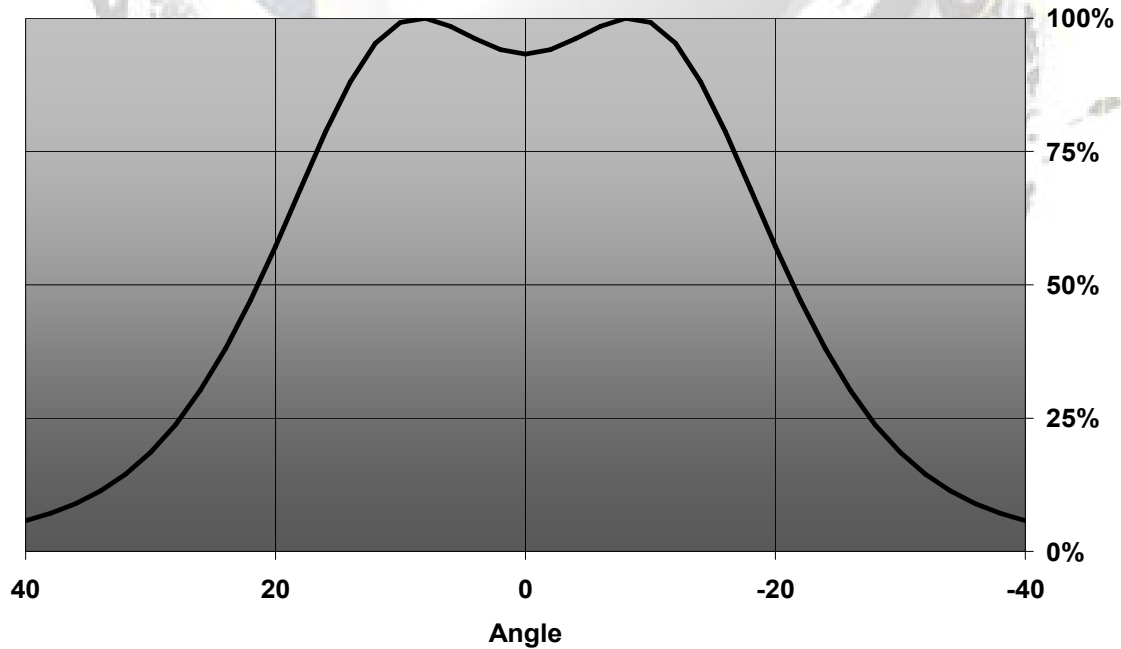
## TINA-N83-M

Relative Intensity of Tina-N083-M



## TINA-N83-W

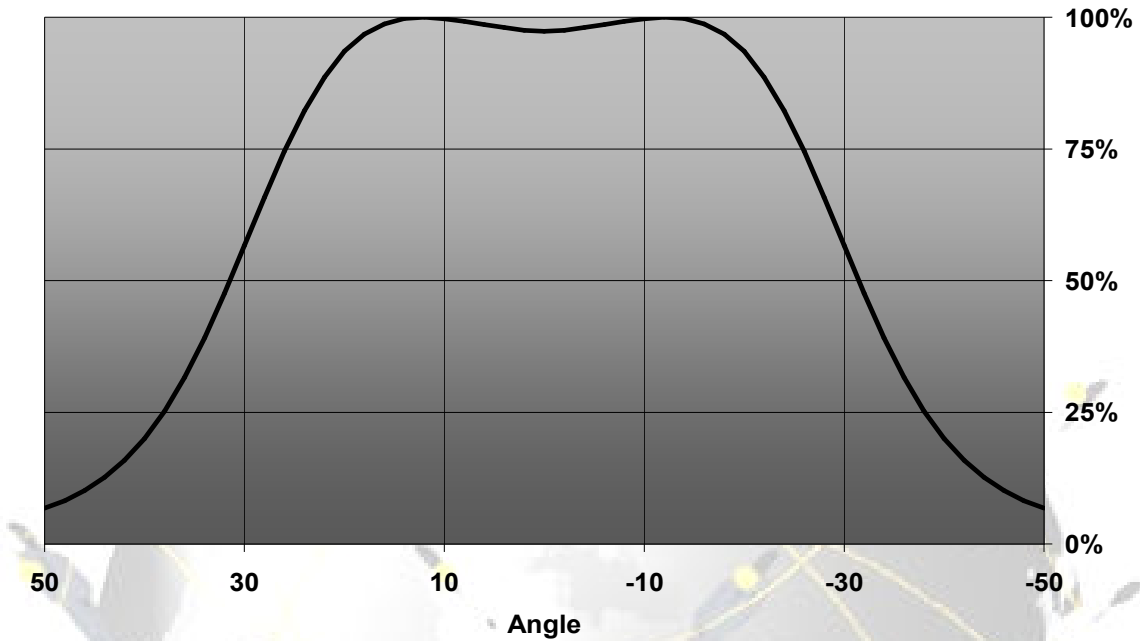
Relative Intensity of FA10839\_Tina-N83-W



© Ledil Oy – PRELIMINARY - Subject to change without prior notice

## TINA-N83-WW

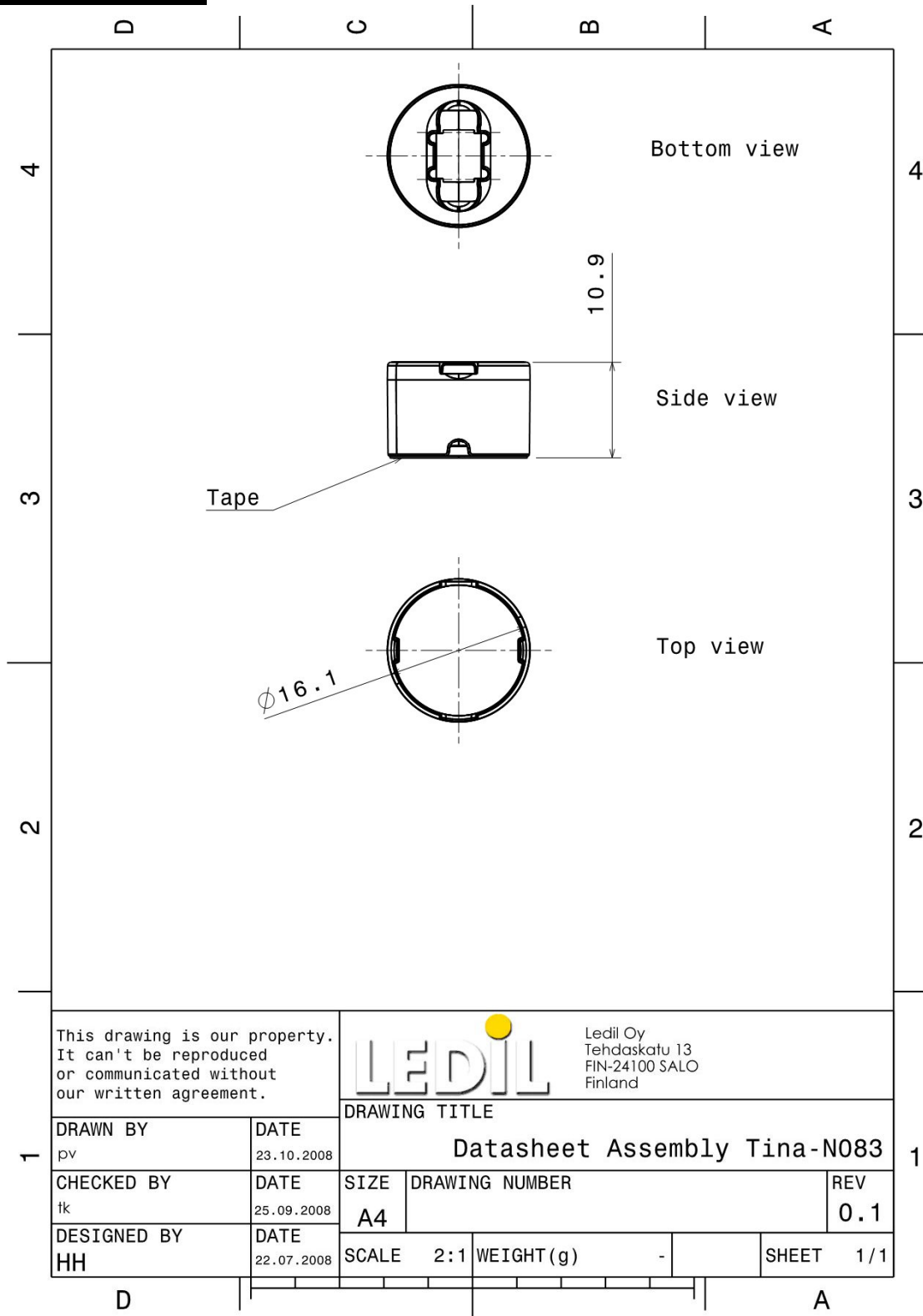
Relative Intensity of FA10901\_Tina-N83-WW



EULUMDAT & IES FILES AVAILABLE BY REQUEST

© Ledil Oy – PRELIMINARY - Subject to change without prior notice

## DRAWINGS



© Ledil Oy – PRELIMINARY - Subject to change without prior notice